

PRODUCT LIST 2019



SPRAY GUNS & ACCESSORIES FOR
CAR REFINISH



We are passionate about painting and eager about creating.
For this, we design spray guns to help you cross any boundary.

Anest Iwata Group

Anest Iwata carries more than 90 years experience in the coating industry, combining the most sophisticated Japanese craftsmanship tradition to the continuous search for leading-edge technologies.

As a global group we aim to deliver the most technically advanced spraying equipment on the market. When designing our products we think about highly professional and creative individuals who have a passion for painting and are looking for the greatest performance. With this in mind we always try to reach for the highest standards of sophistication, creativity and technical realization.

Our range of products varies from several spray guns lines, pumps and painting accessories, projected ad hoc for different paint applications and to satisfy the customer in his research for the best solution.

The automotive refinish, together with the industrial and the wood sector are only few of the areas in which the Anest Iwata experience has found its appreciation between the users, not only for the excellence of our tools but also for the attentive service our customers can count on.

Anest Iwata effort in providing the best results in performance is also conceived for the optimization of the resources and materials in the optic of begin environmentally friendly.

1 MANUAL SPRAY GUNS

Clearcoat	PREMIUM Quality	WS-400 Evo Clear.....	8
	HIGH Quality	W-400 WBX WB2 Classic Plus.....	10
Basecoat	PREMIUM Quality	LS-400 Entech (HVLP).....	12
		WS-400 Evo Base.....	14
	HIGH Quality	W-400 WB1 WBX Classic Plus.....	16
Primer	PREMIUM Quality	W-400 Bellaria Classic Plus.....	18
	HIGH Quality	AZ3 HTE-S Impact.....	20
	STANDARD Quality	AZ3 HTE2.....	22
Spray Putty	STANDARD Quality	AZ3 HTE2.....	22
		AZ3 HTE P.A.S. Concept.....	24
Smart Repair	PREMIUM Quality	W-300 WB High T.E.C.....	26
	HIGH Quality	W-300.....	26
	STANDARD Quality	AZ4 HTE S Impact Junior.....	28
Spot Repair	PREMIUM Quality	LPH-80.....	30
	HIGH Quality	AZ4 HTE S Impact Junior.....	32
Custom Painting	HIGH Quality	RG-3L.....	34
	STANDARD Quality	AZ5.....	36
	AIRBRUSHES	38
Commercial Vehicle Application	PREMIUM Quality	WS-200 Pressure Series.....	40
	HIGH / STANDARD Quality	W-200 Pressure Series.....	44
	HIGH / STANDARD Quality	W-200 Suction Series.....	46
Universal	HIGH Quality	W-400 Classic Plus.....	48

2 PAINT SUPPLY SYSTEM

Double Diaphragm Paint Pumps	DPS-120C & DPS-90G	
	DOUBLE DIAPHRAGM PAINT PUMPS & ACCESSORIES	52
Pressure Tanks	PAINT PRESSURE TANKS		
	PET-series (max. 7.0 bar) 10 lt. 30 lt. 50 lt.	56
	PET-10 (max. 4.0 bar) 10 lt.	58
	PC-18D (max. 3.5 bar) 2 lt.	59

3 SPRAY GUN ACCESSORIES

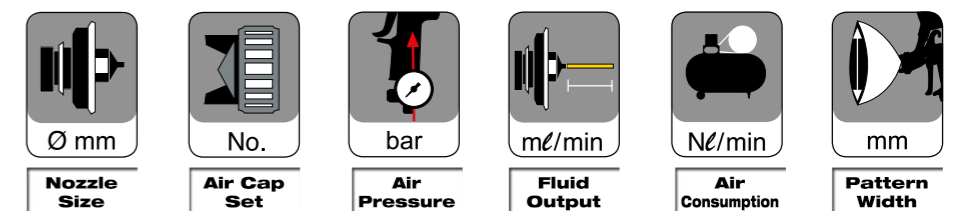
Cups - Filters and Adapters	GRAVITY CUPS & PAINT FILTERS		
	GRAVITY CUPS	61
	BLACK "UV" CUPS	62
	ALUMINIUM GRAVITY CUPS	63
	FILTERS & 3M ADAPTERS	63
	Disposable gravity cups M&S CUP	64
	HIGH T.E.C. Paint Filters	64

4 GENERAL ACCESSORIES

Health Protection	Anest Iwata OVERALL.....	66
	VISIONSHIELD series (goggles & glasses).....	67
	VIPER Half face guard mask.....	68
	AIRFED 2010 Full face mask.....	69
Cleaning and Maintenance	SPRAY GUN CLEANING APPLICATORS: PCA12.0 HCA12.0	72
	CLEANING & MAINTENANCE TOOLS:	
	Brushes Spanner Grease Air duster gun.....	75
	SPRAY GUN WASHERS	
	KUIK mini gun washer manual washing	76
	IWK-H2O gun washer manual washing	77
	INOX LINE SOL (SLD) gun washer manual and automatic washing	78
	INOX LINE SOL (ILD) gun washer and distiller totally pneumatic	78
	INOX LINE SOL-B and SOL-C gun washer automatic final cleaning	78
	Spray Gun Supports	MAGNETIC SUPPORTS & GRAVITY GUN HOLDERS
Spray Control	MAGNETIC SPRAY TESTER.....	81
Air Filtering	AIR FILTER REGULATORS 1/2" (Single-stage, Double-stage, Tri-stage).....	82
Air Supply	CONDUCTIVE AIR HOSES & COUPLINGS	83
Pressure Setting	AIR PRESSURE REGULATORS (AFV-2 AFV-1 Impact Controller 2).....	84
	INFRARED UNITS (series 1 kw-3 kw-4 kw-4,5 kw-6 kw)	86
Drying System	ADG-1B AQUADRY Paint dryer.....	88
	AI JET Air nozzle dryer.....	89
Other Accessories	AZ PVA TN Undercoat gun.....	90
	Marker caps for spray guns.....	90
	Mini Air Duster gun	90

5 GENERAL INFORMATION

TECHNICAL TIPS.....	91
PAINTING TIPS	92
SALES CONDITIONS	93



APPLICATION CHART

MANUAL SPRAY GUNS

	Premium		High		Standard	
	GRAVITY	PRESSURE	GRAVITY	PRESSURE	GRAVITY	PRESSURE
CLEARCOAT	 P. 8 WS-400 EVO CLEAR	NEW P. 40 P. 42 WS-200 SP FT	 P. 10 W-400 WBX WB2	 P. 44 W-200 WBS1 WB1		 P. 44 W-200 G2P LV2
BASECOAT	 P. 12 P. 14 LS-400 ENTECH WS-400 EVO BASE	NEW P. 40 P. 42 WS-200 SP FT	 P. 16 W-400 WB1 WBX	 P. 44 W-200 WBS1 WB1		 P. 44 W-200 G2P LV2
PRIMER	 P. 18 W-400 Bellaria	NEW P. 40 P. 42 WS-200 SP FT	 P. 20 AZ3 HTE-S Impact	 P. 44 W-200 WBS1 WB1	 P. 22 AZ3 HTE 2	 P. 44 W-200 G2P LV2
SPRAY PUTTY					 P. 22 AZ3 HTE 2	 P. 24 AZ3 HTE P.A.S. Concept
SPOT REPAIR	 P. 30 LPH-80		NEW P. 32 AZ4 HTE-S Junior			
SMART REPAIR	 P. 26 W-300 WB		 P. 26 W-300		NEW P. 28 AZ4 HTE-S Junior	
CUSTOM PAINTING	 P. 30 LPH-80		 P. 34 RG-3L		 P. 36 AZ5	



WS-400 Evo Clear

WS-400 Evo Clear



Premium Quality



FEATURES

- Perfect surfaces thanks to the Split Nozzle™ technology
- High fluid transfer by a large and uniform spray pattern
- Very fine atomization
- VOC-compliant professional spray gun (more than 65% transfer efficiency)
- Clearly visible reduction of "fat edges"
- Low background noise
- Lightweight spray gun body
- Simple adjustment of the control knobs, both for right and left handers
- Conical seal nozzle, minimum wear parts
- Clearer design, easy maintenance
- Quality surface for easy cleaning



SPLIT NOZZLE

Pre Atomization TECHNOLOGY

Technical Data	Ø mm	No.	bar	m ² /min	N ₂ /min	mm	mm
WS-400 -1301 EVO	1.3	WS-400-01	2.0	170	370	260	365
WS-400 -1401 EVO	1.4						
WS-400 -1201HD EVO	1.2 HD (1.2.2)						
WS-400 -1301HD EVO	1.3 HD (1.3.2)						
WS-400 -1401HD EVO	1.4 HD (1.4.2)						
WS-400 -1501HD EVO	1.5 HD (1.5.2)						
				Spray Distance 130 mm		250	350
						265	365
						270	370
						275	370

• HD (High Delivery) • Air Nipple: G1/4" • Fluid Nipple: G1/4"



designed by pininfarina

PRO KIT Carton Box

- Carton Box or Plastic Case
- WS-400 Evo Clear
- PC-G600P-2 CUP - 600 ml
- Cleaning Brushes
- Universal Spanner



MASTER KIT

- WS-400 Evo Clear
- PC-G600P-2 CUP - 600 ml
- Air Regulator AFV-1
- Plastic Gun Case
- Cleaning Brushes
- Universal Spanner



Plastic Case

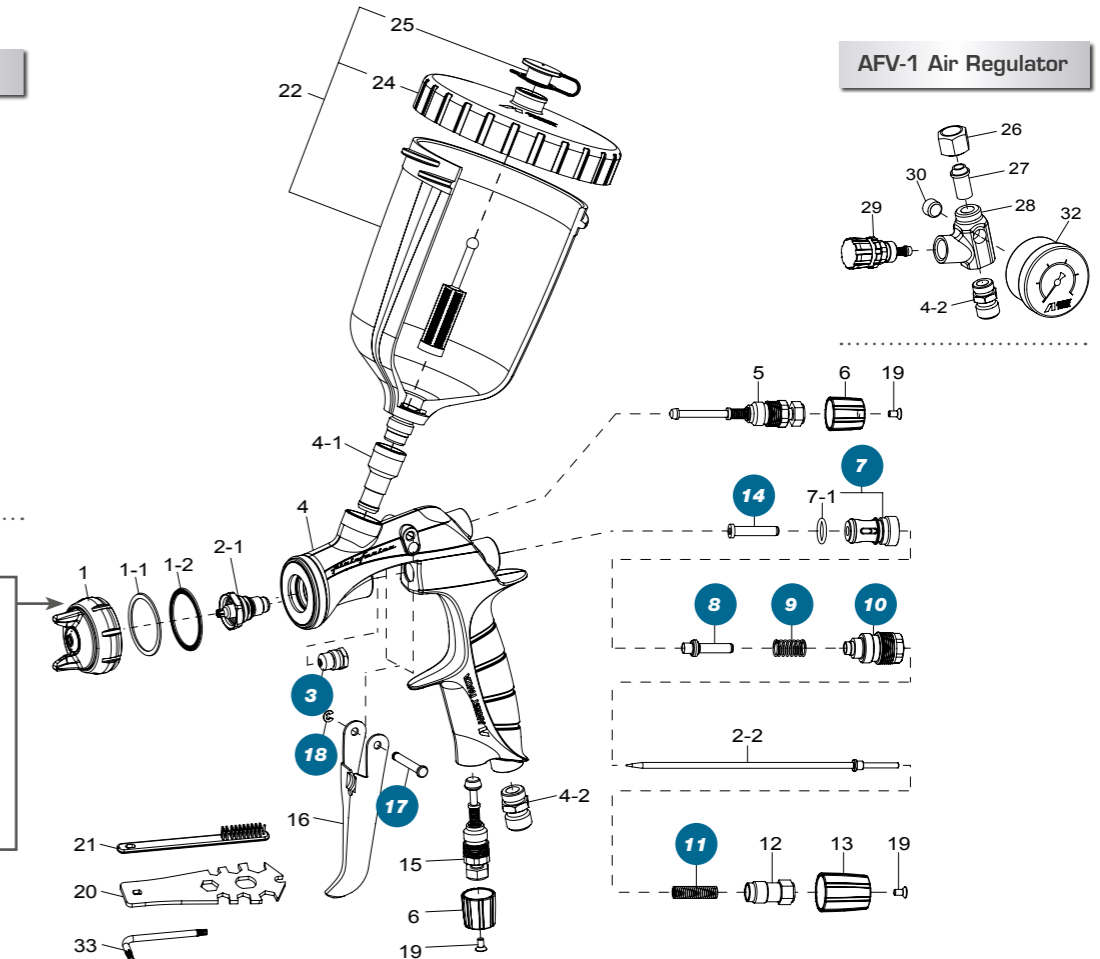
FILTER CUP

Proper adjustment



- 1-1 air cap packing white: seals air cap to tightening nut
- 1-2 air cap packing black: seals air cap to gun body (black seal must be visible from the inside of the air cap)

TIPP: change always both air cap packings as a couple



Spare Parts

Ref.	Code	Description	Qty.
1	Page 8	AIR CAP SET	
2-1+ 2-2	Page 8	FLUID NOZZLE + FLUID NEEDLE SET	
1-1	93505330	AIRCAP PACKING WHITE	
1-2	93505341	AIRCAP PACKING BLACK	
3	03810620	NEEDLE PACKING CARTRIDGE	
4-1	93505421	FLUID NIPPLE	
4-2	03660300	AIR NIPPLE	
5	93505432	PATTERN ADJ. SET	
6	93505471	ADJ. KNOB (Chrome)	
7	03843530	AIR VALVE SEAT SET	
7-1	06638008	'O'RING	
8	93505480	AIR VALVE	
9	03719530	AIR VALVE SPRING	
10	93505492	FLUID ADJ. GUIDE SET	
11	03593530	FLUID NEEDLE SPRING	
12	93505822	FLUID ADJ. SCREW SET	
13	93505831	FLUID ADJ. KNOB (Chrome)	
14	93935430	AIR VALVE SHAFT	
15	93505842	AIR ADJ. SET	
16	93505850	TRIGGER	
17	93505860	TRIGGER STUD	
18	96612025	E STOPPER	
19	93506970K	COUNTERSUNK HEAD SCREW (Chrome)	(3 pcs./1 pk.)
20	93505910	UNIVERSAL SPANNER	

Ref.	Code	Description
21	W2COM6163	BRUSHES (5 pcs./1 pk.)
22	14019100	PC-G600P-2 GRAVITY CUP 600 ml
24	94011220	LID
25	94011230	NON DRIP
	14378610	AIR REGULATOR AFV-1
26	94017021	CAP NUT
27	94006220	JOINT SEAT
28	94006231	BODY
29	94006240	AIR REGULATOR VALVE SET
30	96990425	PLUG
32	W3COM6065	PRESSURE GAUGE
33	03506480K	ALLEN WRENCH SET (3 pcs./1 pk.)

Accessories

Code	Description
W2KIT55SV	CLEANING KIT (page 75)
W2COM6189	REPAIRING KIT 1 (includes: air valve seat set, air valve, air valve spring, fluid needle spring, air valve shaft, fluid adj. guide set, trigger stud, e stopper, needle packing cartridge)
94011240	FILTER 60 Mesh (250µ)

W-400 WB2 | WBX Classic Plus

W-400 WB2 | WBX Classic Plus



SPLITNOZZLE™

Classic plus

High Quality

FEATURES

- Perfect surfaces thanks to the Split Nozzle™ technology
- VOC-compliant professional spray gun (more than 65% transfer efficiency)
- Very fine atomization
- Ideal for blending
- Clearly visible reduction of "fat edges"
- Low background noise
- 380 g: one of most lightweight spray gun on the market
- Conical seal nozzle, minimum wear parts
- Quality surface for easy cleaning
- Clearer design, easy maintenance



WBX



SPLIT NOZZLE

Pre Atomzation TECHNOLOGY



SPLIT NOZZLE

Pre Atomzation TECHNOLOGY

Technical Data	Ø mm	No.	bar	m ² /min	N ² /min	mm
W-400 WBX-124G	1.2	WBX	2.0	150	370	360
W-400 WBX-134G	1.3			195		
W-400 WBX-144G	1.4			200		
W-400 WBX-164G	1.6			250		
W-400-WB-122G	1.2	WB2	1.8		390	290
W-400-WB-132G	1.3			160		300
W-400-WB-142G	1.4			310		
W-400-WB-162G	1.6			250		340

• Air nipple: G1/4" • Fluid nipple: M16 x 1.5mm

Order Information

W-400 WBX

	Ø 1,2	Ø 1,3	Ø 1,4	Ø 1,6
W-400 WBX - PRO KIT (Carton Box)	13241422P	13241423P	13241424P	13241426P
AIR CAP SET (WBX)	93622630			
FLUID NOZZLE + FLUID NEEDLE SET	93627610	93634610	93628610	93622620

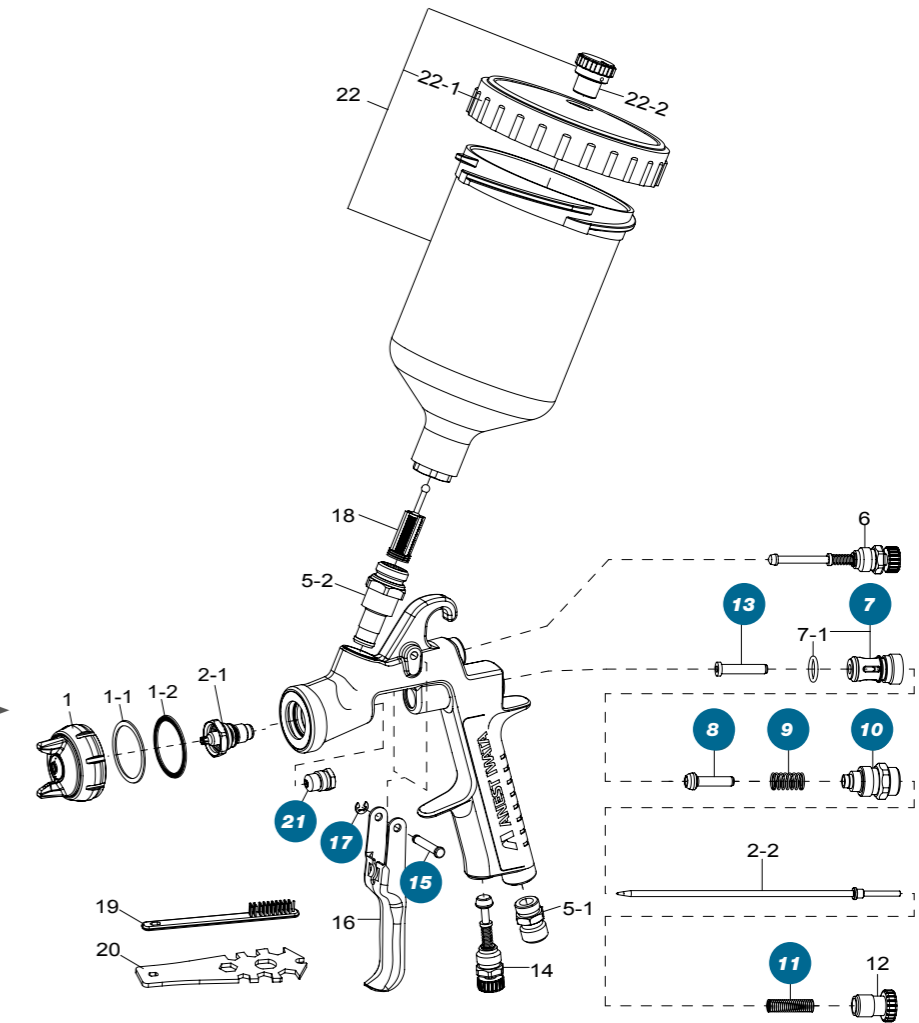
W-400 WB2

	Ø 1,2	Ø 1,3	Ø 1,4	Ø 1,6
W-400 WB2 - PRO KIT	13241415P	13241416P	13241417P	13241418P
AIR CAP SET (WB2)	93624620			
FLUID NOZZLE + FLUID NEEDLE SET	93627610	93634610	93628610	93622620

PRO KIT

Carton Box

W-400 WB2 | W-400 WBX
PCG 6 PE CUP - 600ml
Cleaning Brushes
Universal Spanner



1-1 air cap packing white:
seals air cap to tightening nut

1-2 air cap packing black:
seals air cap to gun body
(black seal must be visible from
the inside of the air cap)

TIPP:
change always both air
cap packings as a couple

Spare Parts

Ref.	Code	Description	Qty.
1	Page 10	AIR CAP SET	
2-1+2-2	Page 10	FLUID NOZZLE + FLUID NEEDLE SET	
1-1	03708240	AIR CAP PACKING (WHITE)	
1-2	03512600	AIR CAP "L" PACKING (BLACK)	
5-1	03660300	AIR NIPPLE	
5-2	93650531	FLUID NIPPLE	
6	93842601	PATTERN ADJ. SET	
7	03843530	AIR VALVE SEAT SET	
7-1	06638008	'O'RING	
8	03591530	AIR VALVE	
9	03719530	AIR VALVE SPRING	
10	93844532	FLUID ADJ. GUIDE SET	
11	03593530	FLUID NEEDLE SPRING	
12	93594532	FLUID ADJ. KNOB	
13	93935430	AIR VALVE SHAFT	
14	93845531	AIR ADJ. SET	
15	03667360	TRIGGER STUD	
16	03517600B	TRIGGER	
17	03912030	E STOPPER	(2 pcs./1 pk.)
18	03515500	FILTER 60 Mesh (250µ)	
19	W2COM6163	BRUSHES	(5 pcs./1 pk.)

Ref.	Code	Description
20	93505910	UNIVERSAL SPANNER
21	03810620	NEEDLE PACKING CARTRIDGE
22	14011001	PCG-6-PE GRAVITY CUP 600 ml
22-1	04002300	LID
22-2	04003320	NON DRIP

Accessories

Code	Description
W2KIT55SV	CLEANING KIT (page 75)
W2COM6190	REPAIRING KIT 2 (includes: air valve seat set, air valve, air valve spring, fluid needle spring, fluid adj. guide set, air valve shaft, trigger stud, e stopper, needle packing cartridge)

W-400 WB2 | WBX

LS-400 Entech (HVLP)

LS-400 Entech (HVLP)



SPLITNOZZLE™

Super NOVA™



Premium Quality

FEATURES

- Perfect surfaces thanks to the Split Nozzle™ technology
- Soft spray pattern for easy handling when blending
- High fluid transfer, maximum material saving
- Large and uniform spray pattern
- Consistent droplet size
- VOC-compliant professional spray gun (more than 65% transfer efficiency)
- Clearly visible reduction of "fat edges"
- Low background noise
- Lightweight spray gun body
- Simple adjustment of the control knobs, for right and left handers
- Conical seal nozzle, minimum wear parts
- Clearer design, easy maintenance
- Quality surface for easy cleaning



SPLIT NOZZLE Pre Atomization TECHNOLOGY

Technical Data	Ø mm	No.	bar	ml/min	Nz/min	mm
LS-400-1205	1.2 ET	LS-400-05	1.8	150	400	250
LS-400-1305	1.3 ET			160		
LS-400-1405	1.4 ET			170		
LS-400-1505	1.5 ET			180		
LS-400-ETS12	1.2 ETS			150		
LS-400-ETS13	1.3 ETS	160	420	230		
LS-400-ETS14	1.4 ETS	180				
LS-400-ETS15	1.5 ETS	190				

• ET: Standard Distance • ETS: Wetter & Longer Spray Distance
• Air Nipple: G1/4" • Fluid Nipple: G1/4"



designed by pininfarina

PRO KIT Carton Box

Carton Box or Plastic Case
LS-400 Entech
PC-G600P-2 CUP - 600 ml
Cleaning Brushes
Universal Spanner



Plastic Case

MASTER KIT

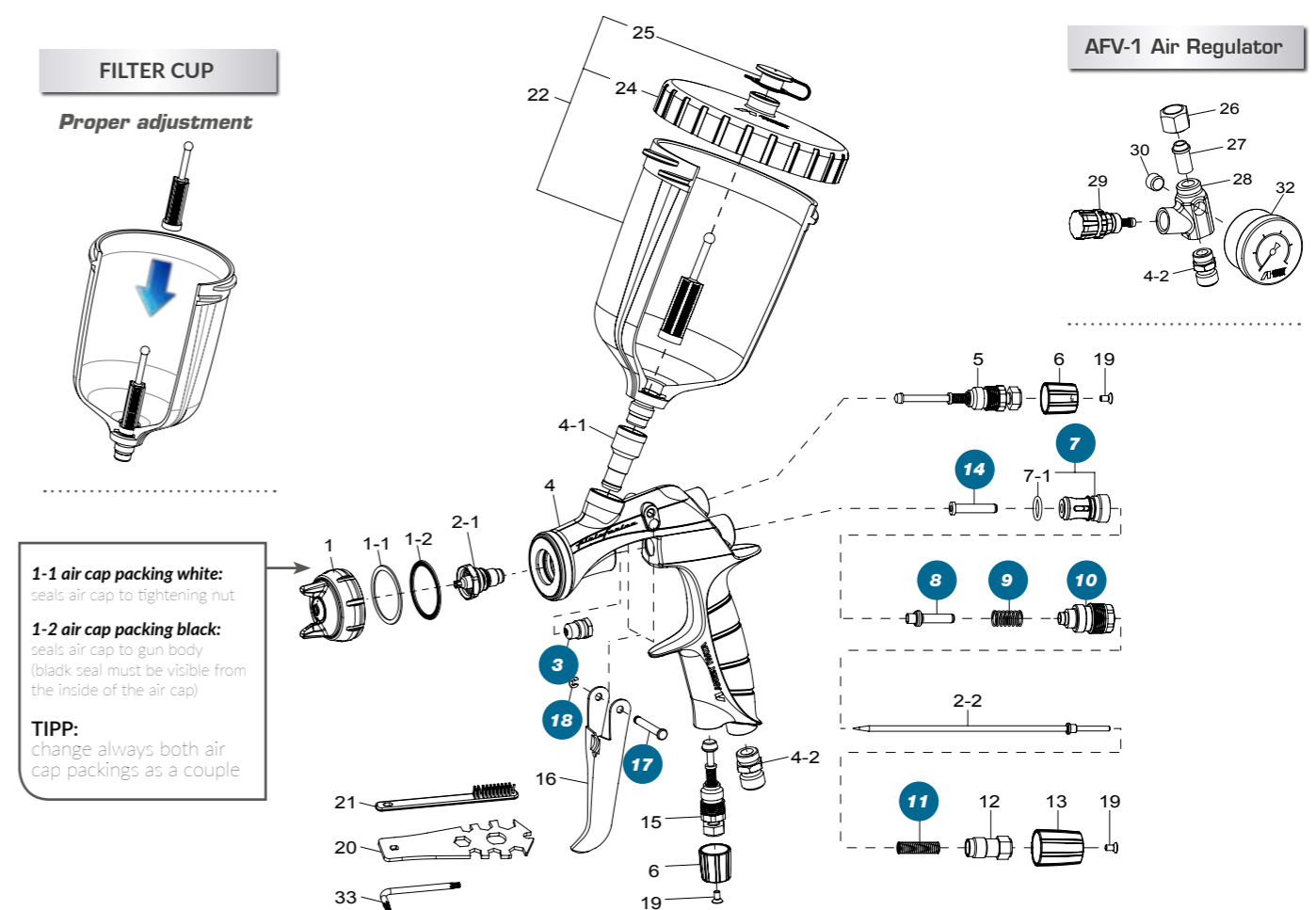
LS-400 Entech
PC-G600P-2 CUP - 600 ml
Air Regulator AFV-1
Plastic Gun Case
Cleaning Brushes
Universal Spanner



Order Information

LS-400 Entech ET with CUP PC-G600P-2 600 ml					
	Ø 1,2	Ø 1,3	Ø 1,4	Ø 1,5	
LS-400 - MASTER KIT	13186521	13186533	13186544	13186551	
LS-400 - PRO KIT (Plastic Case)	13186521PL	13186533PL	13186544PL	13186551PL	
LS-400 - PRO KIT (Carton Box)	13186521P	13186533P	13186544P	13186551P	
AIR CAP SET (LS-400-05)	93512100				
FLUID NOZZLE + FLUID NEEDLE SET	93512140	93512160	93512190	93512210	

LS-400 Entech ETS with CUP PC-G600P-2 600 ml					
	Ø 1,2	Ø 1,3	Ø 1,4	Ø 1,5	
LS-400 - MASTER KIT	13186522	13186534	13186545	13186552	
LS-400 - PRO KIT (Plastic Case)	13186522PL	13186534PL	13186545PL	13186552PL	
LS-400 - PRO KIT (Carton Box)	13186522P	13186534P	13186545P	13186552P	
AIR CAP SET (LS-400-05)	93512100				
FLUID NOZZLE + FLUID NEEDLE SET	93512760	93512780	93513120	93513140	



Spare Parts

Ref.	Code	Description	Qty.
1	Page 12	AIR CAP SET	
2-1+ 2-2	Page 12	NFLUID NOZZLE + FLUID NEEDLE SET	
1-1	93505330	AIR CAP PACKING (WHITE)	
1-2	93505341	AIR CAP "L" PACKING (BLACK)	
3	03810620	NEEDLE PACKING CARTRIDGE	
4-1	93505421	FLUID NIPPLE	
4-2	03660300	AIR NIPPLE	
5	93505432	PATTERN ADJ. SET	
6	93512290	ADJ. KNOB (Green)	
7	03843530	AIR VALVE SEAT SET	
7-1	06638008	'O'RING	
8	93505480	AIR VALVE	
9	03719530	AIR VALVE SPRING	
10	93505492	FLUID ADJ. GUIDE SET	
11	03593530	FLUID NEEDLE SPRING	
12	93505822	FLUID ADJ. SCREW SET	
13	93512730	FLUID ADJ. KNOB (Green)	
14	93935430	AIR VALVE SHAFT	
15	93505842	AIR ADJ. SET	
16	93505850	TRIGGER	
17	93505860	TRIGGER STUD	
18	96612025	E STOPPER	
19	93512740K	COUNTERSUNK HEAD SCREW (Black)	(3 pcs./1 pk.)

Ref.	Code	Description
20	93505910	UNIVERSAL SPANNER
21	W2COM6163	BRUSHES (5 pcs./1 pk.)
22	14019100	PC-G600P-2 GRAVITY CUP 600 ml
24	94011220	LID
25	94011230	NON DRIP
	14378610	AIR REGULATOR AFV-1
26	94017021	CAP NUT
27	94006220	JOINT SEAT
28	94006231	BODY
29	94006240	AIR REGULATOR VALVE SET
30	96990425	PLUG
32	W3COM6065	PRESSURE GAUGE
33	03506480K	ALLEN WRENCH SET (3 pcs./1 pk.)

Accessories

Code	Description
W2KIT55SV	CLEANING KIT (page 75)
W2COM6189	REPAIRING KIT 1 (includes: air valve seat set, air valve, air valve spring, fluid needle spring, air valve shaft, fluid adj. guide set, trigger stud, e stopper, needle packing cartridge)
94011240	FILTER 60 Mesh (250µ)

LS-400 Entech - HVLP

WS-400 Evo Base



designed by *pininfarina*

Premium Quality

FEATURES

- Finest atomization thanks to the Split Nozzle™ technology
- Soft spray pattern for easy handling when blending
- High fluid transfer, maximum material saving
- Large and uniform spray pattern
- VOC-compliant professional spray gun (more than 65% transfer efficiency)
- Clearly visible reduction of "fat edges"
- Low background noise
- Lightweight spray gun body
- Simple adjustment of the control knobs, for right and left handers
- Conical seal nozzle, minimum wear parts
- Clearer design, easy maintenance
- Quality surface for easy cleaning



SPLIT NOZZLE
Pre Atomzation TECHNOLOGY

Technical Data	Ø mm	No.	bar	ml/min	Nl/min	mm	mm
WS-400 -1201 EVO	1.2	WS-400-01	2.0	120	370	250	350
WS-400 -1301 EVO	1.3			140		260	365
WS-400 -1401 EVO	1.4			170		260	
WS-400 -1301HD EVO	1.3 HD (1.3.2)			220		265	370
WS-400 -1401HD EVO	1.4 HD (1.4.2)			240		270	
WS-400 -1501HD EVO	1.5 HD (1.5.2)			260		275	365
WS-400 -1301OBS EVO	1.3 OBS	160	260				

• HD (High Delivery) • OBS (Optimized Basecoat Setting) • Air Nipple: G1/4" • Fluid Nipple: G1/4"

PRO KIT Carton Box

- Carton Box or Plastic Case
- WS-400 Evo Base
- PC-G600P-2 CUP - 600 ml
- Cleaning Brushes
- Universal Spanner



MASTER KIT

- WS-400 Evo Base
- PC-G600P-2 CUP - 600 ml
- Air Regulator AFV-1
- Plastic Gun Case
- Cleaning Brushes
- Universal Spanner



Plastic Case

Order Information

WS-400 Evo BASE with CUP PC-G600P-2 600 ml

	Ø 1,2	Ø 1,3	Ø 1,4
WS-400 EVO - MASTER KIT	13244112E	13244113E	13244116E
WS-400 EVO - PRO KIT (Plastic Case)	13244112EPL	13244113EPL	13244116EPL
WS-400 EVO - PRO KIT (Carton Box)	13244112EP	13244113EP	13244116EP
AIR CAP SET (WS-400-01)	93505300		
FLUID NOZZLE + FLUID NEEDLE SET	93506400	93505350	93506800

WS-400 Evo BASE with CUP PC-G600P-2 600 ml

	Ø 1,3 HD	Ø 1,4 HD	Ø 1,5 HD	Ø 1,3 OBS
WS-400 EVO - MASTER KIT	13244121E	13244123E	13244125E	13244118E
WS-400 EVO - PRO KIT (Plastic Case)	13244121EPL	13244123EPL	13244125EPL	13244118EPL
WS-400 EVO - PRO KIT (Carton Box)	13244121EP	13244123EP	13244125EP	13244118EP
AIR CAP SET (WS-400-01)	93505300			
FLUID NOZZLE + FLUID NEEDLE SET	93506910	93506920	93506930	93506850

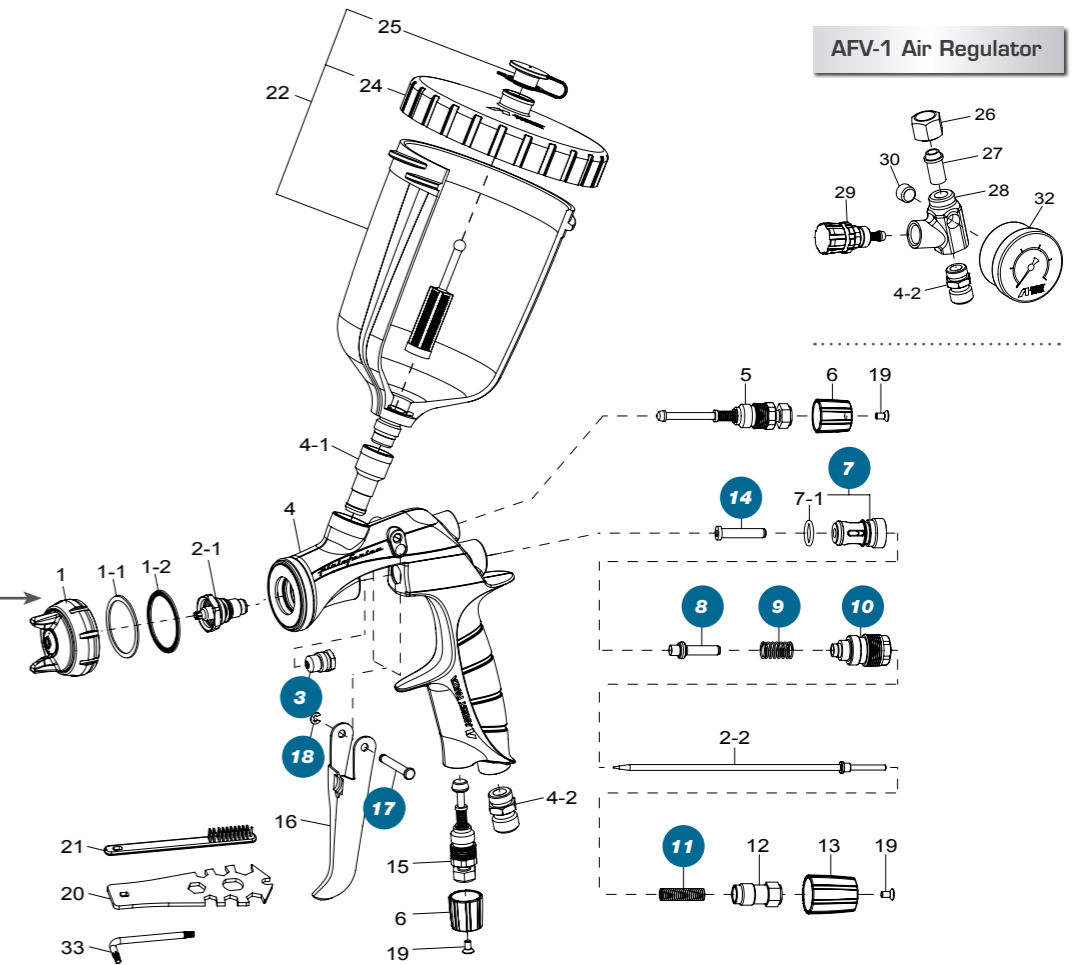
WS-400 Evo Base

FILTER CUP

Proper adjustment



1-1 air cap packing white: seals air cap to tightening nut
1-2 air cap packing black: seals air cap to gun body (black seal must be visible from the inside of the air cap)
TIPP: change always both air cap packings as a couple



Spare Parts

Ref.	Code	Description	Qty.
1	Page 14	AIR CAP SET	
2-1+2-2	Page 14	FLUID NOZZLE + FLUID NEEDLE SET	
1-1	93505330	AIR CAP PACKING (WHITE)	
1-2	93505341	AIR CAP "L" PACKING (BLACK)	
3	03810620	NEEDLE PACKING CARTRIDGE	
4-1	93505421	FLUID NIPPLE	
4-2	03660300	AIR NIPPLE	
5	93505432	PATTERN ADJ. SET	
6	93506462	ADJ. KNOB (Gold)	
7	03843530	AIR VALVE SEAT SET	
7-1	06638008	'O'RING	
8	93505480	AIR VALVE	
9	03719530	AIR VALVE SPRING	
10	93505492	FLUID ADJ. GUIDE SET	
11	03593530	FLUID NEEDLE SPRING	
12	93505822	FLUID ADJ. SCREW SET	
13	93506472	FLUID ADJ. KNOB (Gold)	
14	93935430	AIR VALVE SHAFT	
15	93505842	AIR ADJ. SET	
16	93505850	TRIGGER	
17	93505860	TRIGGER STUD	
18	96612025	E STOPPER	
19	93506980K	COUNTERSUNK HEAD SCREW (Gold)	(3 pcs./1 pk.)

Ref.	Code	Description
20	93505910	UNIVERSAL SPANNER
21	W2COM6163	BRUSHES (5 pcs./1 pk.)
22	14019100	PC-G600P-2 GRAVITY CUP 600 ml
24	94011220	LID
25	94011230	NON DRIP
	14378610	AIR REGULATOR AFV-1
26	94017021	CAP NUT
27	94006220	JOINT SEAT
28	94006231	BODY
29	94006240	AIR REGULATOR VALVE SET
30	96990425	PLUG
32	W3COM6065	PRESSURE GAUGE
33	03506480K	ALLEN WRENCH SET (3 pcs./1 pk.)

Accessories

Code	Description
W2KIT55SV	CLEANING KIT (page 75)
W2COM6189	REPAIRING KIT 1 (includes: air valve seat set, air valve, air valve spring, fluid needle spring, air valve shaft, fluid adj. guide set, trigger stud, e stopper, needle packing cartridge)
94011240	FILTER 60 Mesh (250µ)

W-400 WB1 | WBX Classic Plus

W-400 WB1 | WBX Classic Plus



SPLITNOZZLE™

Classic plus

High Quality

FEATURES

- Perfect surfaces thanks to the Split Nozzle™ technology
- VOC-compliant professional spray gun (more than 65% transfer efficiency)
- Very fine atomization
- Ideal for blending
- Low background noise
- 380 g: one of the most lightweight spray gun on the market
- Conical seal nozzle, minimum wear parts
- Quality surface for easy cleaning
- Clearer design, easy maintenance



SPLIT NOZZLE

Pre Atomzation TECHNOLOGY



SPLIT NOZZLE

Pre Atomzation TECHNOLOGY

Technical Data	Ø mm	No.	bar	m ² /min	N ² /min	mm
W-400 WB-101G	1.0	WB1	1.8	90	230	230
W-400 WB-121G	1.2			120		260
W-400 WB-131G	1.3			140		280
W-400 WB-141G	1.4			160		290
W-400 WBX-124G	1.2	WBX	2.0	150	370	360
W-400 WBX-134G	1.3			195		390
W-400 WBX-144G	1.4			200		
W-400 WBX-164G	1.6			250		

• Air nipple: G1/4" • Fluid nipple: M16 x 1.5mm

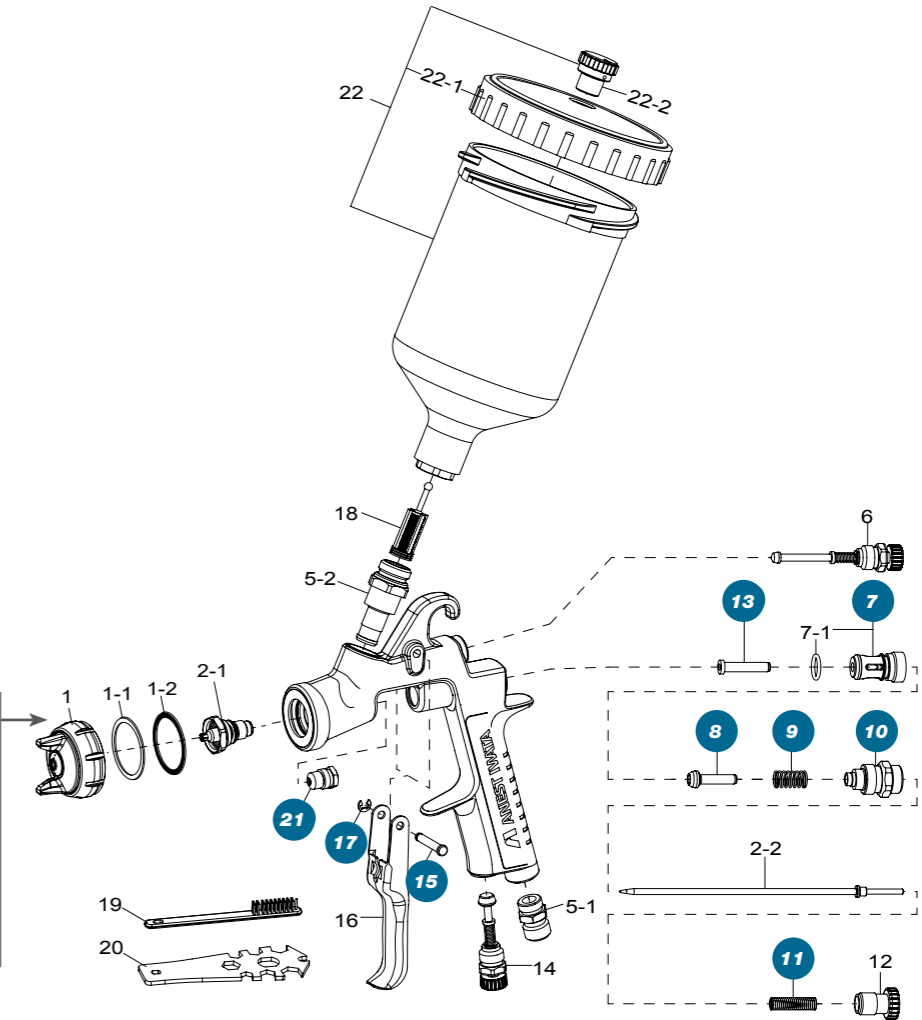
Order Information

W-400 WB1	with CUP PCG 6 PE 600 ml			
	Ø 1,0	Ø 1,2	Ø 1,3	Ø 1,4
W-400 WB1 - PRO KIT	13241411P	13241412P	13241413P	13241414P
AIR CAP SET (WB1)	93896610			
FLUID NOZZLE + FLUID NEEDLE SET	93626610	93627610	93634610	93628610

W-400 WBX	with CUP PCG 6 PE 600 ml			
	Ø 1,2	Ø 1,3	Ø 1,4	Ø 1,6
W-400 WBX - PRO KIT (Carton Box)	13241422P	13241423P	13241424P	13241426P
AIR CAP SET (WBX)	93622630			
FLUID NOZZLE + FLUID NEEDLE SET	93627610	93634610	93628610	93622620

PRO KIT Carton Box

- W-400 WB
- PCG 6 PE CUP - 600 ml
- Cleaning Brushes
- Universal Spanner



1-1 air cap packing white: seals air cap to tightening nut
 1-2 air cap packing black: seals air cap to gun body (black seal must be visible from the inside of the air cap)
 TIPP: change always both air cap packings as a couple

Spare Parts

Ref.	Code	Description	Qty.
1	Page 16	AIR CAP SET	
2-1+2-2	Page 16	FLUID NOZZLE + FLUID NEEDLE SET	
1-1	03708240	AIR CAP PACKING (WHITE)	
1-2	03512600	AIR CAP "L" PACKING (BLACK)	
5-1	03660300	AIR NIPPLE	
5-2	93650531	FLUID NIPPLE	
6	93842601	PATTERN ADJ. SET	
7	03843530	AIR VALVE SEAT SET	
7-1	06638008	'O'RING	
8	03591530	AIR VALVE	
9	03719530	AIR VALVE SPRING	
10	93844532	FLUID ADJ. GUIDE SET	
11	03593530	FLUID NEEDLE SPRING	
12	93594532	FLUID ADJ. KNOB	
13	93935430	AIR VALVE SHAFT	
14	93845531	AIR ADJ. SET	
15	03667360	TRIGGER STUD	
16	03517600B	TRIGGER	
17	03912030	E STOPPER	(2 pcs./1 pk.)
18	03515500	FILTER 60 Mesh (250µ)	
19	W2COM6163	BRUSHES	(5 pcs./1 pk.)

Ref.	Code	Description
20	93505910	UNIVERSAL SPANNER
21	03810620	NEEDLE PACKING CARTRIDGE
22	14011001	PCG-6-PE GRAVITY CUP 600ml
22-1	04002300	LID
22-2	04003320	NON DRIP

Accessories

Code	Description
W2KIT55SV	CLEANING KIT (page 75)
W2COM6190	REPAIRING KIT 2 (includes: air valve seat set, air valve, air valve spring, fluid needle spring, fluid adj. guide set, air valve shaft, trigger stud, e stopper, needle packing cartridge)

W-400 WB1 | WBX

W-400 Bellaria Classic Plus

W-400 Bellaria Classic Plus

Premium Quality

Classic plus
Bellaria



FEATURES

- High quality filler spray gun
- Perfect surfaces obtained with the Flat & Thin™ technology
- Only 250~270 l/min of air consumption, gives to the sprayer an excellent painting control
- Stable, large and compact spray pattern
- VOC-compliant professional spray gun (more than 65% transfer efficiency)
- Low background noise
- 380 g: one of the most lightweight spray guns on the market
- Conical seal nozzle, minimum wear parts
- Quality surface for easy cleaning
- Clearer design, easy maintenance

Technical Data	Ø mm	No.	bar	m ³ /min	N ₂ /min	mm
W-400 -104G	1.0	BA4-1	2.0	130	250	200
W-400 -124G	1.2			180		220
W-400 -134G	1.3			220		280
W-400 -144G	1.4	BA4-2	2.0	250	270	300
W-400 -164G	1.6			285		330
W-400 -184G	1.8			360		375
W-400 -204G	2.0			375		390

• Air nipple: G1/4" • Fluid nipple: M16 x 1.5mm

PRO KIT Carton Box

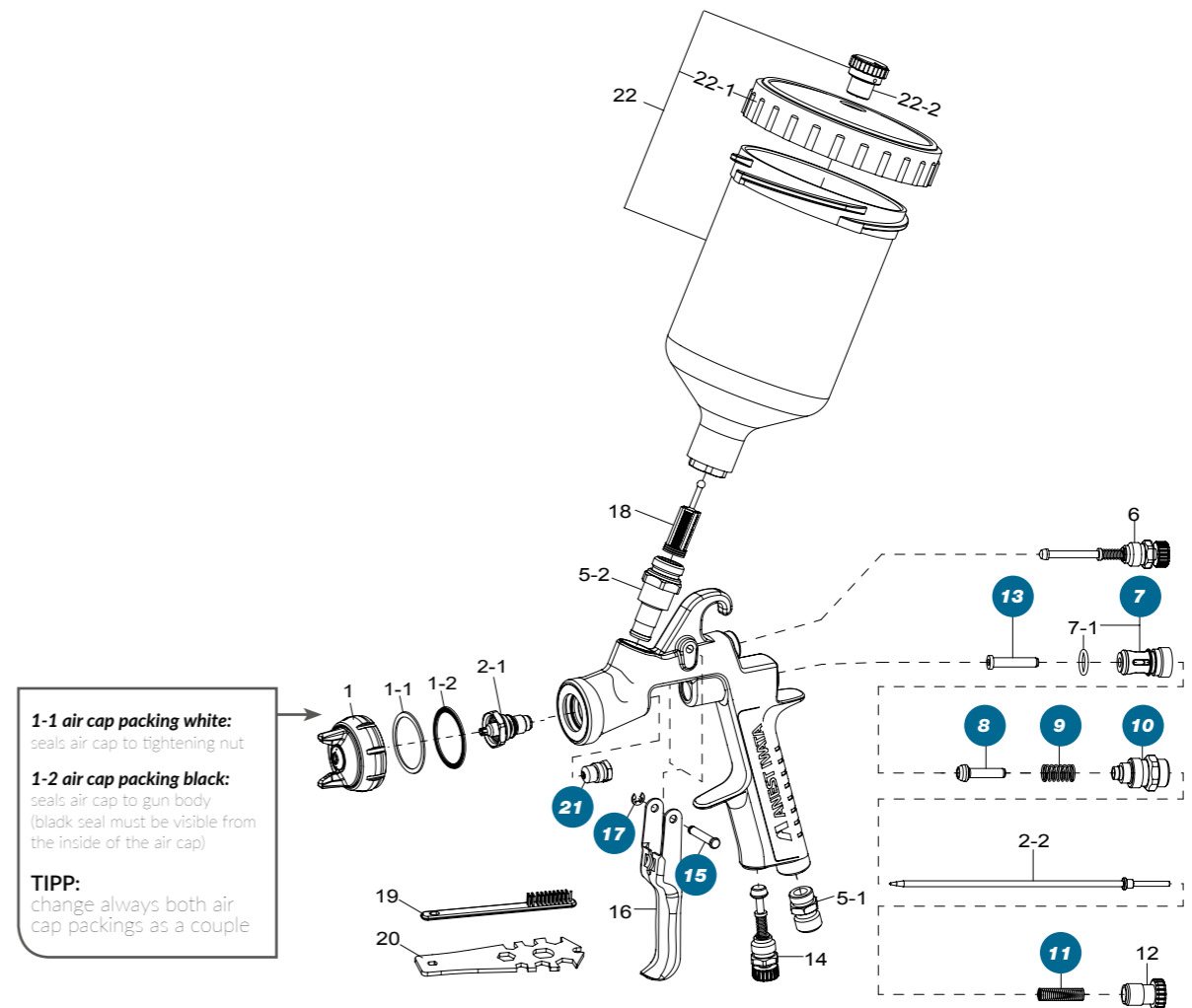
- W-400 Bellaria
- PCG 6 PE CUP - 600 ml
- Cleaning Brushes
- Universal Spanner



Order Information

W-400 Bellaria	with PCG 6 PE 600 ml CUP			
	Ø 1,0	Ø 1,2	Ø 1,3	Ø 1,4
W-400 Bellaria - PRO KIT	13328511P	13328512P	13328513P	13328514P
AIR CAP SET (BA4-1)	93611700		----	
AIR CAP SET (BA4-2)	----		93611710	
FLUID NOZZLE + FLUID NEEDLE SET	93611720	93611730	93611740	93611750

W-400 Bellaria	with PCG 6 PE 600 ml CUP			
	Ø 1,6	Ø 1,8	Ø 2,0	
W-400 Bellaria - PRO KIT	13328516P	13328518P	13328519P	
AIR CAP SET (BA4-2)	93611710			
FLUID NOZZLE + FLUID NEEDLE SET	93611760	93611770	93611780	



Spare Parts

Ref.	Code	Description	Qty.
1	Page 18	AIR CAP SET	
2-1+2-2	Page 18	NOZZLE + NEEDLE SET	
1-1	03708240	AIR CAP PACKING (WHITE)	
1-2	03512600	AIR CAP "L" PACKING (BLACK)	
5-1	03660300	AIR NIPPLE	
5-2	93650531	FLUID NIPPLE	
6	93611930	PATTERN ADJ. SET	
7	03843530	AIR VALVE SEAT SET	
7-1	06638008	O'RING	
8	03591530	AIR VALVE	
9	03719530	AIR VALVE SPRING	
10	93844532	FLUID ADJ. GUIDE SET	
11	03593530	FLUID NEEDLE SPRING	
12	93611900	FLUID ADJ. KNOB	
13	93935430	AIR VALVE SHAFT	
14	93611940	AIR ADJ. SET	
15	03667360	TRIGGER STUD	
16	03517600	TRIGGER	
17	03912030	E STOPPER	(2 pcs./1 pk.)
18	03515500	FILTER 60 Mesh (250µ)	
19	W2COM6163	BRUSHES	(5 pcs./1 pk.)

Ref.	Code	Description
20	93505910	UNIVERSAL SPANNER
21	03810620	NEEDLE PACKING CARTRIDGE
22	14011001	PCG-6-PE GRAVITY CUP 600 ml
22-1	04002300	LID
22-2	04003320	NON DRIP

Accessories

Code	Description
W2KIT55SV	CLEANING KIT (page 75)
W2COM6190	REPAIRING KIT 2 (includes: air valve seat set, air valve, air valve spring, fluid needle spring, fluid adj. guide set, air valve shaft, trigger stud, e stopper, needle packing cartridge)

W-400 Bellaria - Classic Plus

AZ3 HTE-S IMPACT



AZ3 HTE-S IMPACT

High Quality

Impact
AZ3 HTE-S



Black
Version

FEATURES

- High quality filler spray gun
- Flat & thin™ spray pattern with fine atomization
- All wetted parts in stainless steel
- Trigger easy to dose
- Simple operation of the control knobs, for right and left handers
- Costs for spare parts replacement extremely customer friendly



Homogeneous and Fine Atomization

HTE HTE-S IMPACT
HIGH TRANSFER EFFICIENCY High Performance Spray TECHNOLOGY

Technical Data	Ø mm	No.	bar	m ³ /min	N ³ /min	mm
AZ3 HTE-S IMPACT	1.2	HTE-S1	2.0	240	325	190
	1.3			265		210
	1.4			279		230
	1.6	HTE-S2		289	312	250
	1.8			322		
	2.0			361		

• Air nipple: G1/4" • Fluid nipple: G1/4"

Carton Box

AZ3 HTE-S Impact
PCG-6P-2 CUP - 600 ml
Universal Spanner



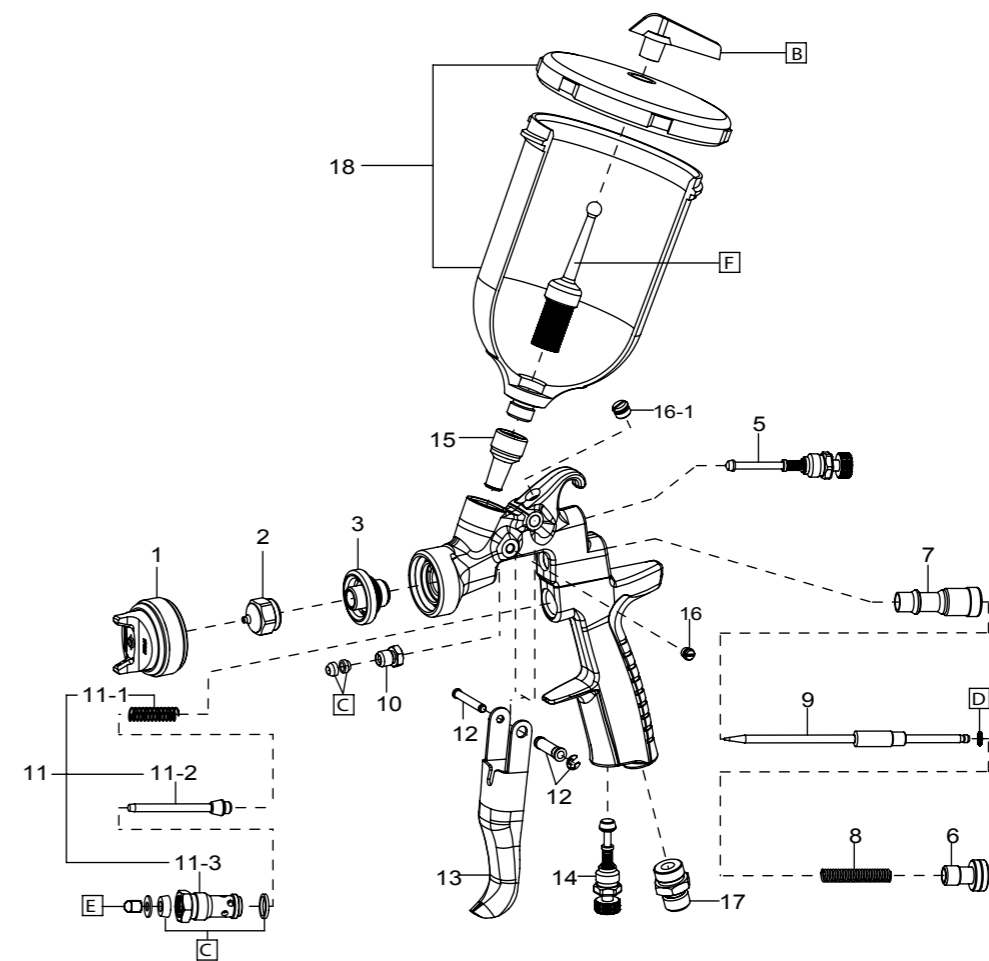
Order Information

AZ3 HTE-S Impact	with PCG 6P 2 AZ - CUP 600 ml		
	Ø 1,2	Ø 1,3	Ø 1,4
AZ3 HTE-S IMPACT - Black Version	W0SPG90AG12C	W0SPG90AG13C	W0SPG90AG14C
AZ3 HTE-S IMPACT - Chrome Version	W0SPG91AG12C	W0SPG91AG13C	W0SPG91AG14C
AIR CAP SET (HTE-S1)	W2CAP90AG12		
FLUID NOZZLE + FLUID NEEDLE SET	W2ADU90AG12	W2ADU90AG13	W2ADU90AG14

AZ3 HTE-S Impact	with PCG 6P 2 AZ - CUP 600 ml		
	Ø 1,6	Ø 1,8	Ø 2,0
AZ3 HTE-S IMPACT - Black Version	W0SPG90AG16C	W0SPG90AG18C	W0SPG90AG20C
AZ3 HTE-S IMPACT - Chrome Version	W0SPG91AG16C	W0SPG91AG18C	W0SPG91AG20C
AIR CAP SET (HTE-S2)	W2CAP90AG16		
FLUID NOZZLE + FLUID NEEDLE SET	W2ADU90AG16	W2ADU90AG18	W2ADU90AG20



Chrome
Version



Spare Parts

Ref.	Code	Description	Qty.
1	Page 20	AIR CAP SET	
2+9	Page 20	FLUID NOZZLE + FLUID NEEDLE SET	
3	W3COM3050	NOZZLE HOLDER	
5	93842601	PATTERN ADJ. SET	
6	W2COM6077	FLUID NEEDLE ADJ. KNOB	
7	W2010140900	FLUID NEEDLE GUIDE	
8	W2010140800	FLUID NEEDLE SPRING	
10	W2010140600	FLUID NEEDLE PACKING NUT	
11	W2COM6080	AIR VALVE SET	
11-1	W2010141700	AIR VALVE SPRING	
11-2	W2010130600	AIR VALVE	
11-3	W2010130500	AIR VALVE SEAT	
12	W2COM4041	TRIGGER STUD	
13	W2COM6051	TRIGGER	
14	93845531	AIR ADJ. SET	
15	W3COM5038	THREADED BUSHING	
16	W2COM5004	SCREW	
16-1	W2COM6050	PLUG	
17	W2COM5039	AIR NIPPLE	
C	W2KIT56	PACKING SET	(3 pcs./1 pk.)
D	W2KIT33	SLIDE RING SET	(10 pcs./1 pk.)
E	W2KIT37	AIR VALVE SHAFT TIP SET	(5 pcs./1 pk.)

Ref.	Code	Description
18	W0CUPAZ90	PCG-6P-2-AZ GRAVITY CUP 600 ml
B	W2KIT07	NON DRIP SET (5 pcs./1 pk.)
F	W2KIT06	FILTER SET 50 MESH (297µ) (5 pcs./1 pk.)
	W2KIT55SV	CLEANING KIT (page 75)
	93505910	UNIVERSAL SPANNER

AZ3 HTE-S - Impact

Standard Quality

HTE 2
HIGH TRANSFER EFFICIENCY



FEATURES

- Robust work spray gun for materials with high viscosity
- Trigger easy to dose
- Simple operation of the control knobs, for right and left handers
- Costs for replacement of spare parts extremely customer friendly

Technical Data	Ø mm	No.	bar	m ² /min	N ² /min	mm	
	AZ3 HTE2 AV	1.0	10-15HTE	2.0	80		180
1.3		140			200		240
1.5		160					260
1.8		18-20HTE	250		215		300
2.0			300				340
2.5		25HTE	450		280		360
2.8		28-30HTE	540		300		380
3.0			560				400
3.5		35HTE	600				420

• Air nipple: G1/4" • Fluid nipple: G1/4"

Carton Box

AZ3 HTE 2
PCG-6P-2B AZ CUP - 600 ml
Universal Spanner



AZ3 HTE 2 AV
PCG-6P-2B AZ CUP - 600 ml
Universal Spanner



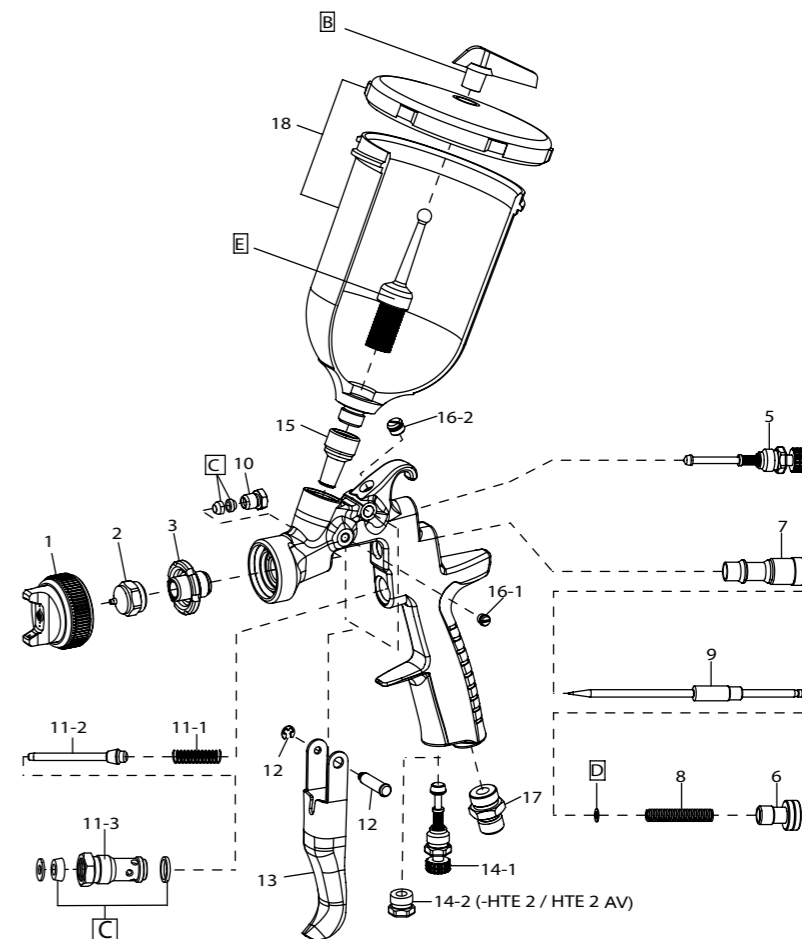
Order Information

AZ3 HTE 2	with PCG 6P 2B AZ - CUP 600 ml				
	Ø 1,0	Ø 1,3	Ø 1,5	Ø 1,8	Ø 2,0
AZ3 HTE 2 with 600 ml CUP	W0SPG80AG10C	W0SPG80AG13C	W0SPG80AG15C	W0SPG80AG18C	W0SPG80AG20C
AIR CAP SET	W2CAP80AG15		W2CAP80AG18		
FLUID NOZZLE + FLUID NEEDLE SET	W2010133500	W2010133600	W2010133700	W2010133800	W2010133900
	Ø 2,5	Ø 2,8	Ø 3,0	Ø 3,5	
AZ3 HTE 2 with 600 ml CUP	W0SPG80AG25C	W0SPG80AG28C	W0SPG80AG30C	W0SPG80AG35C	
AIR CAP SET	W2CAP80AG25	W2CAP80AG30		W2CAP80AG35	
FLUID NOZZLE + FLUID NEEDLE SET	W2010134000	W2010134300	W2010134100	W2010134200	

AZ3 HTE 2 AV	with PCG 6P 2B AZ - CUP 600 ml and Air Flow Control Valve				
	Ø 1,0	Ø 1,3	Ø 1,5	Ø 1,8	Ø 2,0
AZ3 HTE 2 with 600 ml CUP	W0SPG81AG10C	W0SPG81AG13C	W0SPG81AG15C	W0SPG81AG18C	W0SPG81AG20C
AIR CAP SET	W2CAP80AG15		W2CAP80AG18		
FLUID NOZZLE + FLUID NEEDLE SET	W2010133500	W2010133600	W2010133700	W2010133800	W2010133900
	Ø 2,5	Ø 2,8	Ø 3,0	Ø 3,5	
AZ3 HTE 2 with 600 ml CUP	W0SPG81AG25C	W0SPG81AG28C	W0SPG81AG30C	W0SPG81AG35C	
AIR CAP SET	W2CAP80AG25	W2CAP80AG30		W2CAP80AG35	
FLUID NOZZLE + FLUID NEEDLE SET	W2010134000	W2010134300	W2010134100	W2010134200	

Special Wrench

ACCESSORIES



Spare Parts

Ref.	Code	Description	Qty.
1	Page 22	AIR CAP SET	
2+9	Page 22	FLUID NOZZLE + FLUID NEEDLE SET	Ø 1.0/1.3/1.5
2+9	Page 22	FLUID NOZZLE + FLUID NEEDLE SET	Ø 1.8/2.0/2.5 2.8/3.0/3.5
3	W2010140200	NOZZLE HOLDER	
5	93842601	PATTERN ADJ. SET	
6	W2010141000	FLUID NEEDLE ADJ. KNOB	
7	W2010140900	FLUID NEEDLE GUIDE	
8	W2010140800	FLUID NEEDLE SPRING	
10	W2010140600	FLUID NEEDLE PACKING NUT	
11	W2010120100	AIR VALVE SET	
11-1	W2010141700	AIR VALVE SPRING	
11-2	W2010130600	AIR VALVE	
11-3	W2010130500	AIR VALVE SEAT	
12	W2COM4001	TRIGGER STUD	
13	W2COM6051	TRIGGER	
14-1	93845531	AIR ADJ. SET	
14-2	93625370	PLUG	
15	W2013040100	THREADED BUSHING	
16-1	W2COM5004	SCREW	
16-2	W2COM6050	PLUG	
17	W2COM5000	AIR NIPPLE	
C	W2KIT56	PACKING SET	(3 pcs./1 pk.)
D	W2KIT33	SLIDE RING SET	(10 pcs./1 pk.)

Ref.	Code	Description
18	W0012820100	PCG-6P-2B-AZ GRAVITY CUP 600 ml
B	W2KIT07	NON DRIP SET (5 pcs./1 pk.)
E	W2KIT06	FILTER SET 50 Mesh (297µ) (5 pcs./1 pk.)

Accessories

Code	Description
W2KIT55SV	CLEANING KIT (page 75)
93505910	UNIVERSAL SPANNER
VPACAZ3H2	BLACK PLASTIC CASE (for 1 SPRAY GUN and 1 CUP)
W2503500100	SPECIAL WRENCH

AZ3 HTE 2

Standard Quality

Concept AZ3 HTE P.A.S.



FEATURES

- Robust work spray gun with flow pressure
- Large, uniform spray pattern for materials with high viscosity due to Pressure Assisted System (P.A.S.)
- Amazingly high material discharge with high-viscous materials due to direct pressurization
- Costs for replacement of spare parts extremely customer friendly
- High material transfer rate
- All wetted parts in stainless steel
- Precise mini controller for cup flow pressure
- Trigger easy to dose



HTE-P1 CONCEPT

High Performance Spray TECHNOLOGY

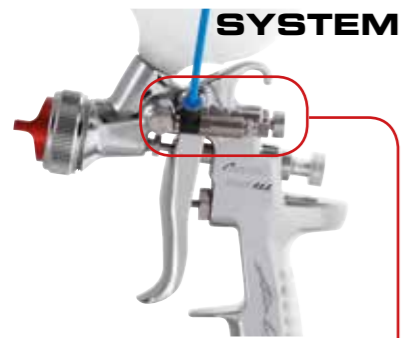
Flat and Long Pattern even spraying heavy materials

Technical Data	Ø mm	No.	bar	m ³ /min	l ³ /min	mm
	AZ3 HTE P.A.S. CONCEPT	1.3	P1 CONCEPT	2.5	190	286
	1.5	320				
	1.8	380				
	2.0	400				

• Air nipple: G1/4" • Fluid nipple: G1/4"

METAL LID sturdy and resistant for heavy duty use

Pressure assisted SYSTEM



HIGH PRECISION MINI PRESSURE REGULATOR



Carton Box

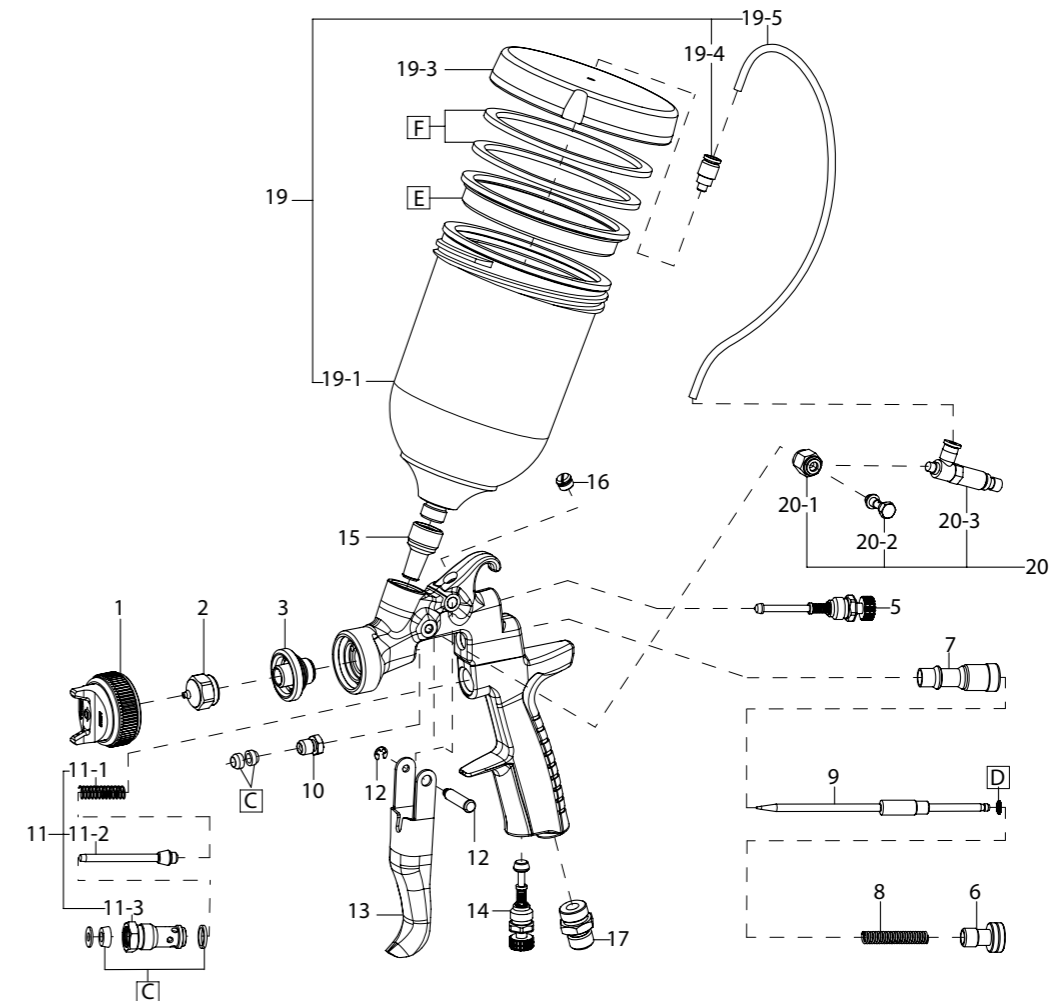
AZ3 HTE P.A.S. Concept PRESSURIZED - 600 ml CUP Universal Spanner



Order Information

AZ3 HTE P.A.S. with Pressurized CUP - 600 ml

	Ø 1,3	Ø 1,5	Ø 1,8	Ø 2,0
AZ3 HTE P.A.S.	W0SPG88AG13C	W0SPG88AG15C	W0SPG88AG18C	W0SPG88AG20C
AIR CAP SET (P1 CONCEPT)	W2CAP83AG13			
FLUID NOZZLE + NEEDLE SET	W2ADU83AG13	W2ADU83AG15	W2ADU83AG18	W2ADU83AG20



Spare Parts

Ref.	Code	Description	Qty.
1	Page 24	AIR CAP SET	
2+9	Page 24	NOZZLE + NEEDLE SET	
3	W3COM3050	NOZZLE HOLDER	
5	93842601	PATTERN ADJ. SET	
6	W2010141000	FLUID NEEDLE ADJ. KNOB	
7	W2010140900	FLUID NEEDLE GUIDE	
8	W2010140800	FLUID NEEDLE SPRING	
10	W2010140600	FLUID NEEDLE PACKING NUT	
11	W2010120100	AIR VALVE SET	
11-1	W2010141700	AIR VALVE SPRING	
11-2	W2010130600	AIR VALVE	
11-3	W2010130500	AIR VALVE SEAT	
12	W2COM4001	TRIGGER STUD	
13	W2COM6051	TRIGGER	
14	93845531	AIR ADJ. SET	
15	W3COM5038	THREADED BUSHING	
16	W2COM6050	PLUG	
17	W2COM5000	AIR NIPPLE	
C	W2KIT56	PACKING SET	(3 pcs./1 pk.)
D	W2KIT33	SLIDE RING SET	(10 pcs./1 pk.)

Ref.	Code	Description
19	W0CUPAZ85	PCGP-6P-2B-AZ PRESSURE CUP 600 ml
19-1	W3COM1037	PRESSURE CUP
19-3	W3COM1031	LID
19-4	W3COM5041	STRAIGHT MALE ADAPTOR
19-5	0010002700	AIR HOSE
E	W2KIT38	NON DRIP SET (3 pcs.)
F	W2KIT39	LID PACKING SET (4 pcs.)
20	W2SUB6066	PRESSURE REGULATOR SET
20-1	W3COM4030	ORIENTING RING
20-2	W3COM4033	BANJO STEM SINGLE
20-3	W3COM5032	PRESSURE REGULATOR

Accessories

Code	Description
W2KIT55SV	CLEANING KIT (page 75)
93505910	UNIVERSAL SPANNER

AZ3 HTE P.A.S. - Concept

W-300 WB | W-300 HIGH T.E.C.

W-300 WB | W-300 HIGH T.E.C.

W-300 WB

Premium Quality



SPLIT NOZZLE
Pre Atomization TECHNOLOGY

Technical Data	Ø mm	No.	bar	ml/min	l/min	mm
W-300 WB - 101G	1.0	WB1	1.5	65	190	230
W-300 WB - 121G	1.2			100		240
W-300 WB - 141G	1.4			125		250

• Air Nipple: G1/4" • Fluid Nipple: G1/4"

Order Information

W-300 WB	with 200 ml CUP		
	Ø 1,0	Ø 1,2	Ø 1,4
W-300 WB - PRO KIT (200 ml CUP)	13241515P	13241525P	13241505P
AIR CAP SET (WB1)	93592621		
FLUID NOZZLE + FLUID NEEDLE SET	93602620	93591620	93595620

High Quality

W-300



Technical Data	Ø mm	No.	bar	ml/min	l/min	mm
W-300-081G	0.8	E1	2.5	60	80	100
W-300-101G	1.0	K1		100	145	130
W-300-104G	1.0	H4		160	225	175
W-300-132G	1.3	H2				

• Air Nipple: G1/4" • Fluid Nipple: G1/4"

Order Information

W-300	with 200 ml CUP			
	Ø 0,8	Ø 1,0	Ø 1,0	Ø 1,3
W-300 PRO KIT (200 ml CUP)	13241825P	13241815P	13241816P	13241805P
AIR CAP SET	E1 93689610	----	----	----
AIR CAP SET	----	----	----	H2 93696610
AIR CAP SET	----	K1 93735610	H4 93662610	----
FLUID NOZZLE + FLUID NEEDLE SET	93590621	93600621		----
FLUID NOZZLE + FLUID NEEDLE SET	----	----	----	93666610P

PRO KIT

Carton Box

with 200 ml CUP
W-300 WB or W-300
PCG 2P-2 CUP - 200ml
Cleaning Brushes
Universal Spanner



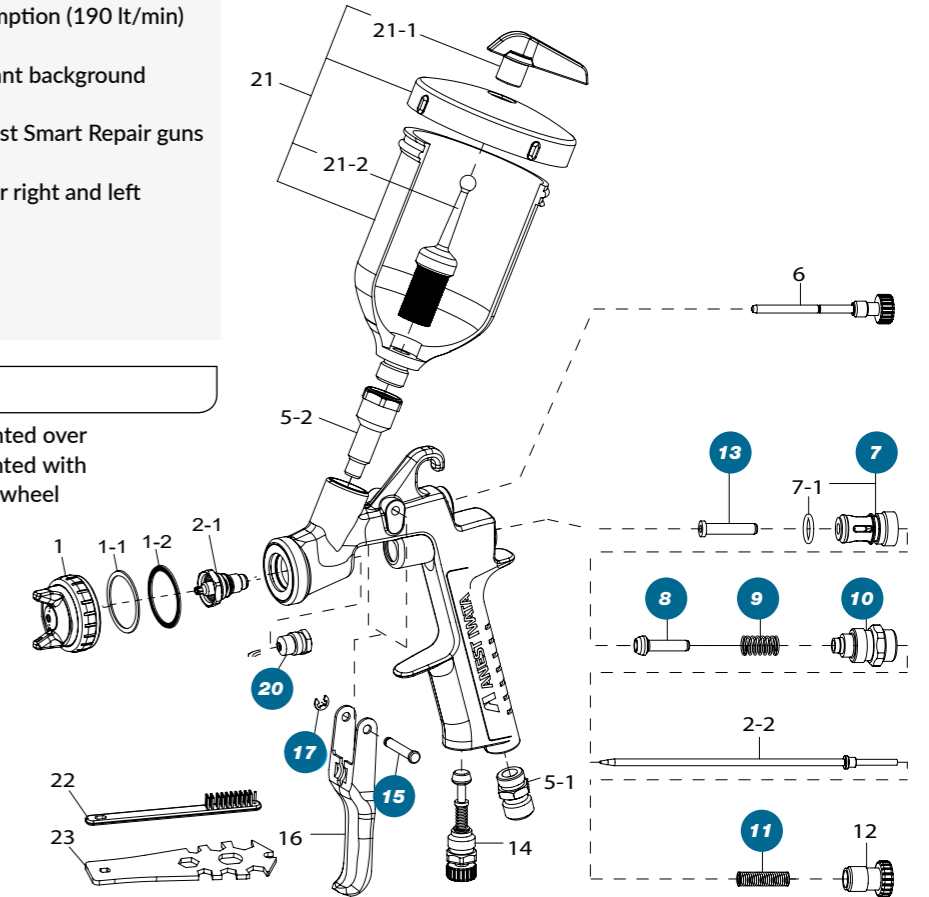
FEATURES

- Perfect surfaces by Split Nozzle Technology
- Specifically for blending, for example, side wall or bumper and smaller areas
- Barely visible transitions due to soft and fine spray
- Very fine atomization with low air consumption (190 lt/min)
- Extremely low material consumption
- For Anest Iwata -typical: quiet and pleasant background noise
- With 320tg one of the most lightweightest Smart Repair guns on the market
- Simple operation of the control knobs, for right and left handers
- Conical seal nozzle, minimum wear parts
- Clearer design, easy maintenance
- Quality surface for an easy cleaning

Smart Repair

Blending or hue adjustment, basecoat is painted over the damaged area and then completely painted with clearcoat, full coating of small parts such as wheel covers, mirror caps and spoilers.

1-1 air cap packing white: seals air cap to tightening nut
1-2 air cap packing black: seals air cap to gun body (black seal must be visible from the inside of the air cap)
TIPP: change always both air cap packings as a couple



Spare Parts

Ref.	Code	Description	Qty.
1	Page 26	AIR CAP SET	
2-1 + 2.2	Page 26	FLUID NOZZLE AND FLUID NEEDLE SET	
1-1	03608320	AIR CAP PACKING (WHITE)	
1-2	03576530	AIR CAP "L" PACKING (BLACK)	
5-1	03660300	AIR NIPPLE	
5-2	03575620	FLUID NIPPLE	
6	03577620	PATTERN ADJ. SET	
7	03843530	AIR VALVE SEAT SET	
7-1	06638008	'O'RING	
8	03591530	AIR VALVE	
9	03719530	AIR VALVE SPRING	
10	93844532	FLUID ADJ. GUIDE SET	
11	03593530	FLUID NEEDLE SPRING	
12	93594532	FLUID ADJ. KNOB	
13	93935430	AIR VALVE SHAFT	
14	93845531	AIR ADJ. SET	
15	03667360	TRIGGER STUD	
16	03597530	TRIGGER	
17	03912030	E STOPPER	(2 pcs./1 pk.)
20	03810620	NEEDLE PACKING CARTRIDGE	

Ref.	Code	Description
22	W2COM6163	BRUSHES (5 pcs./1 pk.)
23	93505910	UNIVERSAL SPANNER
21	WOCUPAZ40IN	PCG-2P-2 GRAVITY CUP 200 ml
21-1	W2KIT07	NON DRIP SET (5 pcs./1pk.)
21-2	W2KIT06	FILTER 50 Mesh (297µ) (5 pcs./1pk.)

Accessories

Code	Description
W2KIT55SV	CLEANING KIT (page 75)
W2COM6190	REPAIRING KIT 2 (includes: air valve seat set, air valve, air valve spring, fluid needle spring, air valve shaft, fluid adj. guide set, trigger stud, e stopper, needle packing cartridge)
94011240	FILTER 60 Mesh (250µ)

W-300 WB - HIGH T.E.C.

Standard Quality

FEATURES

The AIR GUNSA range is enhanced by the new AZ4 HTE-S IMPACT Junior. This version of the new gun has been specially designed so GENERAL INDUSTRY Applications can be painted with high transfer efficiency, more control and maximum comfort for the operator. Ideal for both water based and solvent based paints with adjustable inlet valve as standard. Available with 200 ml cup.



AZ4 HTE-S
200 ml Gravity Cup

Technical Data	Ø mm	No.	bar	ml/min	Nl/min	mm
	AZ4 HTE-S	1.3	AZ4-2	2.5	140	235
	1.5	195			240	165
	1.8	275			245	185

• Air nipple: G1/4" • Fluid nipple: G1/4"

Carton Box

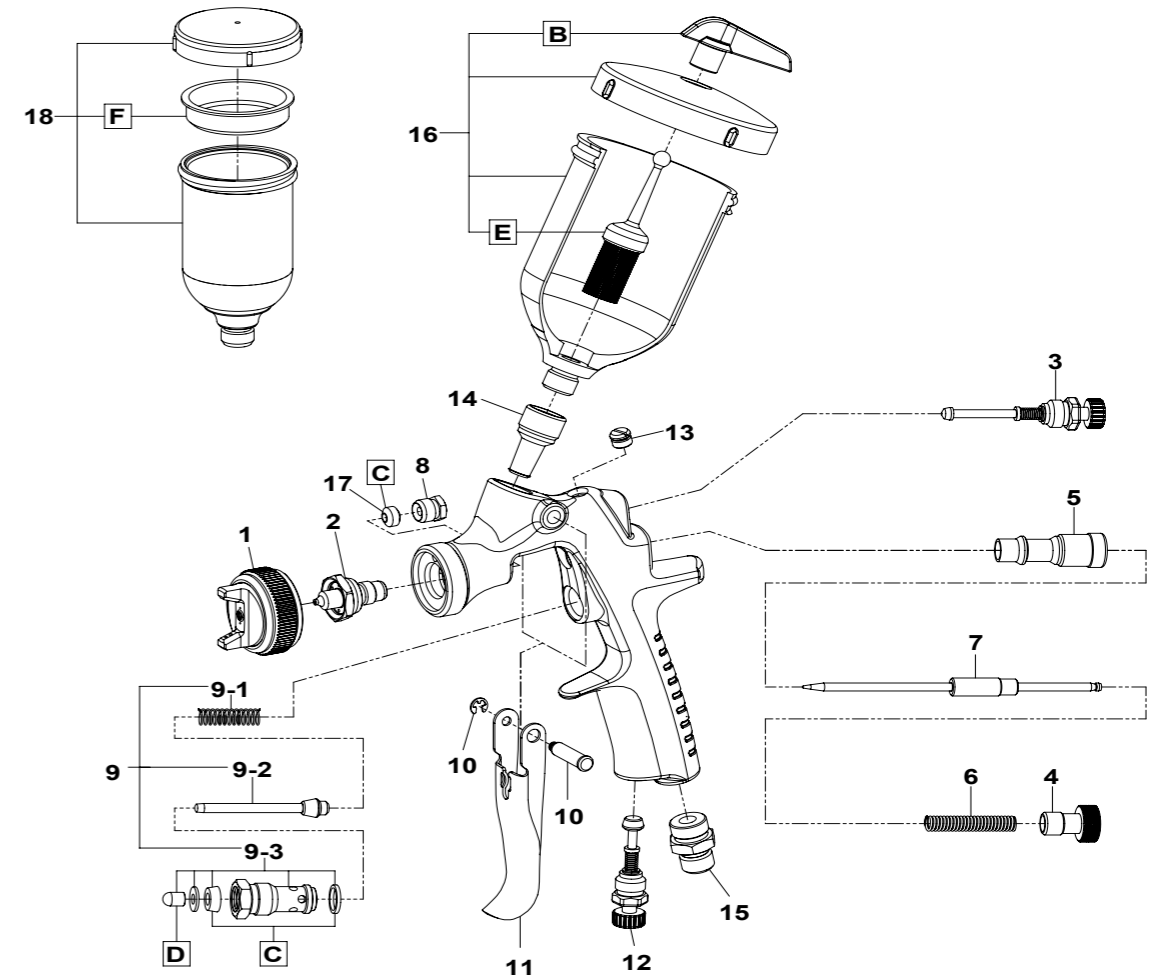


with 200 ml CUP

AZ4 HTE-S
PCG-2P-2 - 200 ml
Universal Spanner

Order Information

AZ4 HTE-S	with 200 ml CUP		
	Ø 1,3	Ø 1,5	Ø 1,8
AZ4 HTE-S with 200 ml CUP	13000740	13000750	13000980
AIR CAP SET (AZ4-2)	93003750		
FLUID NOZZLE + FLUID NEEDLE SET	93004610	93004620	93005650



Spare Parts

Ref.	Code	Description	Qty.
1	Page 28	AIR CAP SET	
2+7	Page 28	NOZZLE + NEEDLE SET	
3	93842601	PATTERN ADJUSTMENT SET	
4	W2010141000	FLUID NEEDLE ADJ. KNOB	
5	W2010140900	FLUID NEEDLE GUIDE	
6	W2010140800	FLUID NEEDLE SPRING	
8	W2COM3011	NEEDLE PACKING NUT	
9	W2COM6080	AIR VALVE SET	
9-1	W2010141700	AIR VALVE SPRING	
9-2	W2010130600	AIR VALVE	
9-3	W2010130500	AIR VALVE SEAT	
10	W2COM4001	TRIGGER STUD	
11	93003810	TRIGGER	
12	93845531	AIR ADJUSTMENT SET	
13	W2COM6050	PLUG	
14	W3COM5038	THREADED BUSHING	
15	W2COM5000	AIR NIPPLE	
17	W2COM2006	NEEDLE PACKING	
C	93005550	PACKING SET	(3 pcs./1 pk.)
D	W2KIT37	AIR VALVE SHAFT TIP SET	(5 pcs./1 pk.)

Ref.	Code	Description
PCG-2P-2 GRAVITY CUP 200ml		
16	WOCUPAZ40IN	PCG-2P-2 GRAVITY CUP 200 ml
B	W2KIT07	NON DRIP SET (5pcs./1 pk.)
E	W2KIT06	FILTER SET 50 Mesh (297µ) (5pcs./1 pk.)

Accessories

Code	Description
W2KIT55SV	CLEANING KIT (page 75)
93505910	UNIVERSAL SPANNER

AZ4 HTE-S IMPACT Junior

Premium Quality



250 ml Gravity CUP



FEATURES

- Especially for small repair jobs and areas, that are hard to reach
- Very fine atomization with low air consumption (60 lt/min)
- Extremely low material consumption
- Perfect handling when blending
- For Anest Iwata -typical: quiet and pleasant background noise
- With 205 g one of the most lightweight Spot Repair guns on the market
- Simple operation of the control knobs, for right and left handers
- Conical seal nozzle, minimum wear parts
- Clearer design, easy maintenance
- Quality surface for an easy cleaning

Spot Repair - Small refinishing up to a size of about 3.5 cm, partial repairs.

Further Development of HVLP Technology **LVL P** Low Volume Low Pressure

Technical Data	Ø mm	No.	bar	ml/min	Nl/min	mm
LPH-80 - 044G	0.4	E4	1.0	10	60	55
LPH-80 - 064G	0.6			30		80
LPH-80 - 084G	0.8			45		100
LPH-80 - 104G	1.0			60		130
LPH-80 - 124G	1.2			75		140

• Air Nipple: G1/4" • Fluid Nipple: G1/8"

70ml Gravity CUP



Carton Box

with 70 and 250 ml CUP

LPH-80
PCG-1P-1 CUP - 70 ml
PCG-3P-1 CUP - 250 ml
Cleaning Brushes



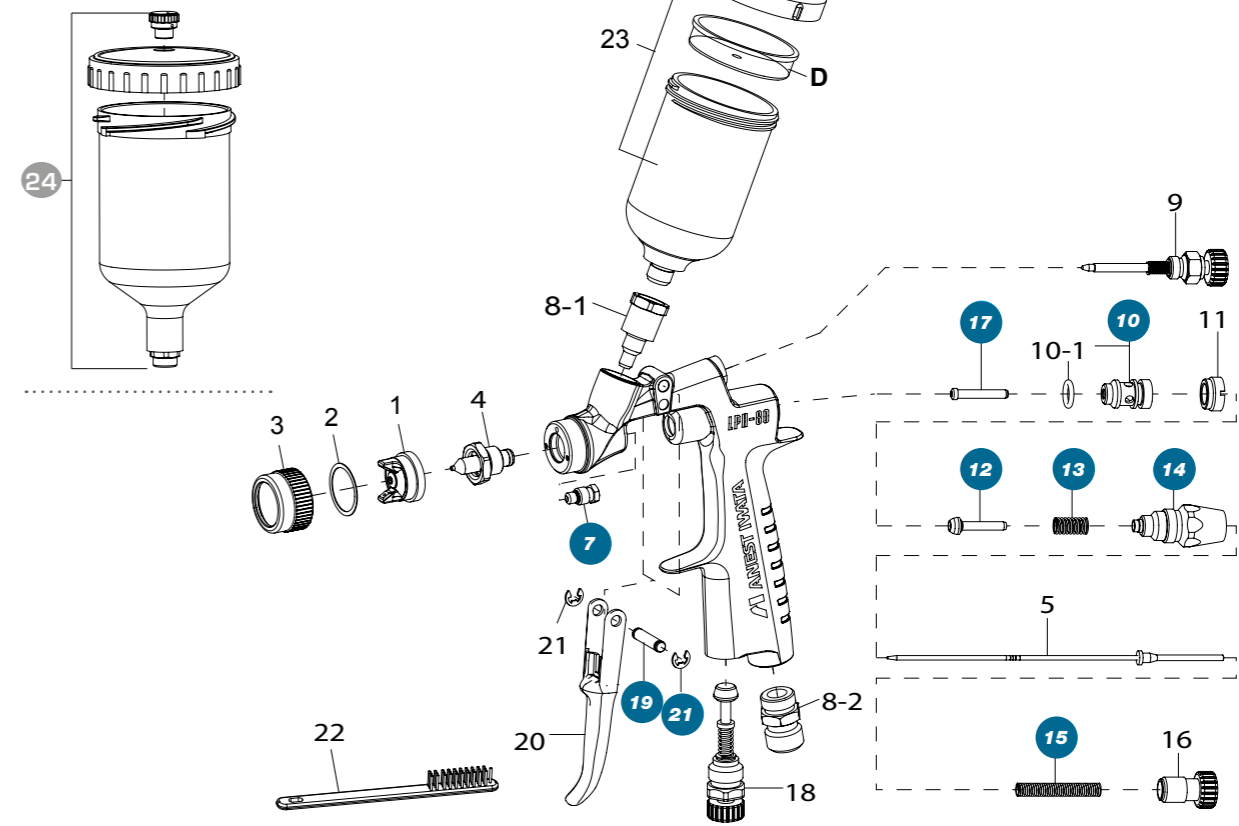
Order Information

LPH-80 (LVL P) with 250 ml and 70 ml CUP

	Ø 0,4	Ø 0,6	Ø 0,8	Ø 1,0	Ø 1,2
LPH-80 - (250 ml + 70 ml CUPS)	131807071	131807171	131807471	131807271	131807371
AIR CAP (E4)	93662600				
FLUID NOZZLE	93570600	93568600	93761530	93560600	93760530
FLUID NEEDLE	93891600	93890600	93886600		



PCG-3P-1 - 250 ml CUP



Spare Parts

Ref.	Code	Description	Qty.
1	Page 30	AIR CAP	
2	03558600	AIR CAP PACKING	
3	03559600	AIR CAP COVER	
4	Page 30	NOZZLE	
5	Page 30	NEEDLE	
7	93940890	NEEDLE PACKING CARTRIDGE	
8-1	93753530	FLUID NIPPLE	
8-2	03660300	AIR NIPPLE	
9	93748530	PATTERN ADJ. SET	
10	03912880	AIR VALVE SEAT SET	
10-1	06638005	'O'RING	
11	03011880	AIR VALVE SEAT SCREW	
12	03013880	AIR VALVE	
13	03012880	AIR VALVE SPRING	
14	03936880	FLUID ADJ. GUIDE SET	
15	03015880	FLUID NEEDLE SPRING	
16	93754530	FLUID ADJ. KNOB	
17	03006880	AIR VALVE SHAFT	
18	93845531	AIR ADJ. SET	
19	03167890	TRIGGER STUD	
20	03162890	TRIGGER	
21	03912030	E STOPPER	(2 pcs./1 pk.)
22	W2COM6163	BRUSHES	(5 pcs./1 pk.)

Ref.	Code	Description
23	13678980	PCG-1P-1 GRAVITY CUP 70 ml + NON DRIP
D	W2KIT52	NON DRIP SET (3 pcs./1 pk.)
24	VPE250	PCG-3P-1 GRAVITY CUP 250 ml

Accessories

Code	Description
W2KIT55SV	CLEANING KIT (page 75)
W2COM6191	REPAIRING KIT 3 (includes: air valve seat set, air valve, air valve spring, fluid needle spring, air valve shaft, fluid adj. guide set, trigger stud, e stopper, needle packing cartridge)
93280881	SPANNER for LPH-80

AZ4 HTE-S IMPACT Junior



AZ4 HTE-S IMPACT Junior

High Quality

FEATURES

The AIRGUNSA range has been specially enhanced by the launch of the AZ4 HTE-S IMPACT Junior. This version of the new gun has been specially designed to achieve those SMALL to MEDIUM Repairs on a vehicle body that can be perfectly repaired with high transfer efficiency, more control and maximum comfort for the operator. Ideal for both water based and solvent based paints with adjustable inlet valve as standard. Available with 70 ml cup.



NEW

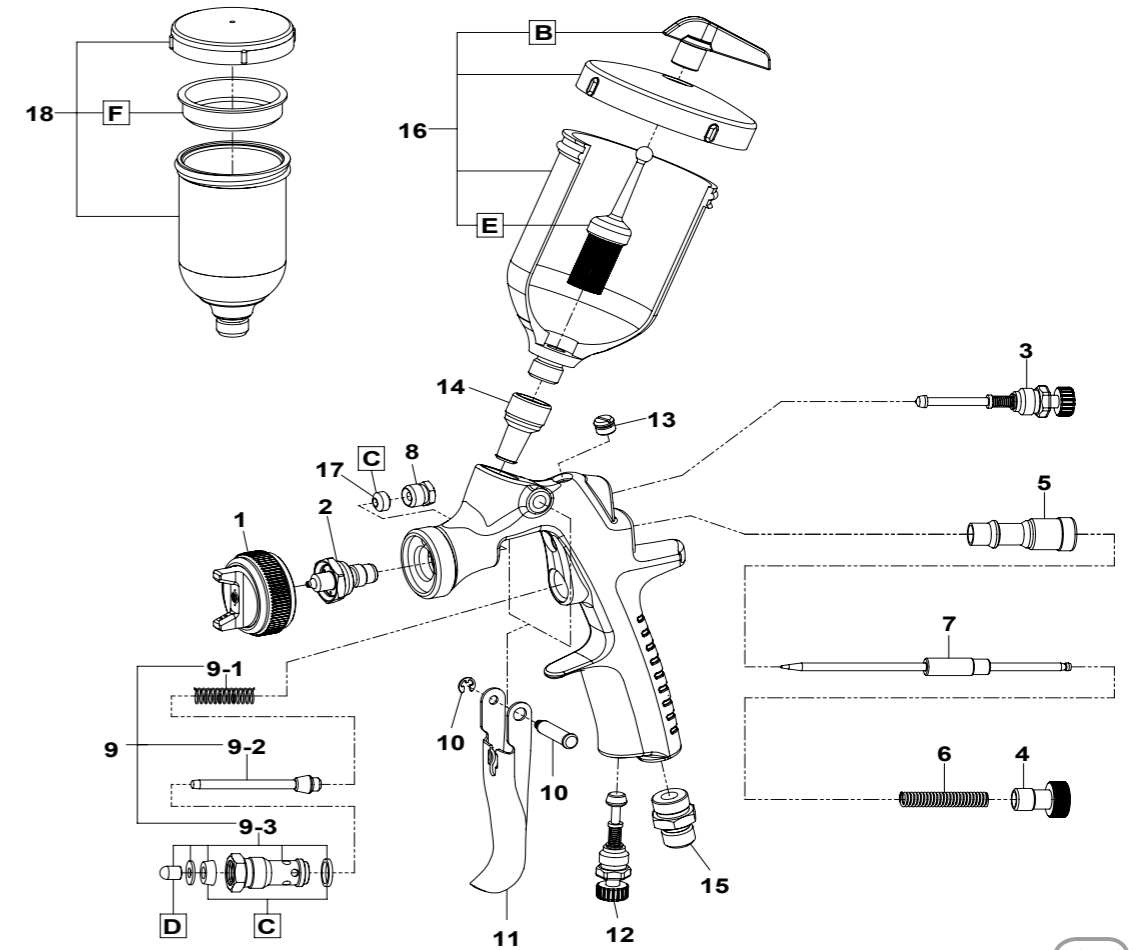
AZ4 HTE-S
70 ml Gravity Cup

Technical Data	Ø mm	No.	bar	ml/min	Nl/min	mm
AZ4 HTE-S	0.8	AZ4-1	1.0	50	105	120
	1.0			65		150
	1.2	80		160		
	1.3	AZ4-2		2.5		140

• Air nipple: G1/4" • Fluid nipple: G1/4"



AZ4-1 IMPACT Junior
High Performance Spray
TECHNOLOGY



Spare Parts

Ref.	Code	Description	Qty.
1	Page 32	AIR CAP SET	
7+2	Page 32	NOZZLE + NEEDLE SET	
3	93842601	PATTERN ADJUSTMENT SET	
4	W2010141000	FLUID NEEDLE ADJ. KNOB	
5	W2010140900	FLUID NEEDLE GUIDE	
6	W2010140800	FLUID NEEDLE SPRING	
8	W2COM3011	NEEDLE PACKING NUT	
9	W2COM6080	AIR VALVE SET	
9-1	W2010141700	AIR VALVE SPRING	
9-2	W2010130600	AIR VALVE	
9-3	W2010130500	AIR VALVE SEAT	
10	W2COM4001	TRIGGER STUD	
11	93003810	TRIGGER	
12	93845531	AIR ADJUSTMENT SET	
13	W2COM6050	PLUG	
14	W3COM5038	THREADED BUSHING	
15	W2COM5000	AIR NIPPLE	
17	W2COM2006	NEEDLE PACKING	(3 pcs./1 pk.)
C	93005550	PACKING SET	(3 pcs./1 pk.)
D	W2KIT37	AIR VALVE SHAFT TIP SET	(5 pcs./1 pk.)

Ref.	Code	Description
PCG-2P-2 GRAVITY CUP 200 ml		
16	WOCUPAZ40IN	PCG-2P-2 GRAVITY CUP 200 ml
B	W2KIT07	NON DRIP SET (5pcs./1 pk.)
E	W2KIT06	FILTER SET 50 Mesh (297µ) (5pcs./1 pk.)
PCG-1P-2 GRAVITY CUP 70 ml		
18	13001200	PCG-1P-2 GRAVITY CUP 70 ml
G	W2KIT52	NON DRIP SET (3 pcs./1 pk.)

Accessories

Code	Description
W2KIT55SV	CLEANING KIT (page 75)
93505910	UNIVERSAL SPANNER

Order Information

AZ4 HTE-S	with 70 ml CUP			
	Ø 0,8	Ø 1,0	Ø 1,2	Ø 1,3
AZ4 HTE-S with 200 ml CUP	----	----	----	13000740
AZ4 HTE-S with 70 ml CUP	13001130	13001140	13001150	----
AIR CAP SET (AZ4-1)		93003740		93003750
FLUID NOZZLE + FLUID NEEDLE SET	93004580	93004590	93004600	93004610

Carton Box



with 70 ml CUP

AZ4 HTE-S
PCG-1P-2 - 70 ml
Universal Spanner

High Quality



200 ml Gravity CUP

FEATURES

- Specifically for decorative paintings with normal nozzles
- Used for modeling, contours painting and graphics
- Fine atomization
- For right and left handers
- With side cup for best control when working
- Individual angle adjustment of the cup, head first working is possible
- Very low air requirement, only 30 to 50 NI/min depending on nozzle size
- RG-3L-S3 flat pattern (0.6 nozzle size)
- Conical seal nozzle, minimum wear parts
- Clearer design, easy maintenance

Technical Data	Ø mm	No.	bar	m ² /min	Nl/min	mm
RG-3L 1	0.4	1		15		25
RG-3L 2	0.6	2	2.5	35	30	35
RG-3L 3	1.0	3		80		

• Air nipple: G1/4" • Fluid nipple: G1/4"

Carton Box

with 200 ml CUP

RG-3L
PC-52 AG CUP - 200 ml
Cleaning Brushes

with 130 ml CUP

RG-3L
PC-61 CUP - 130 ml
Cleaning Brushes

Order Information

RG-3L with or without 200 ml or 130 ml CUP

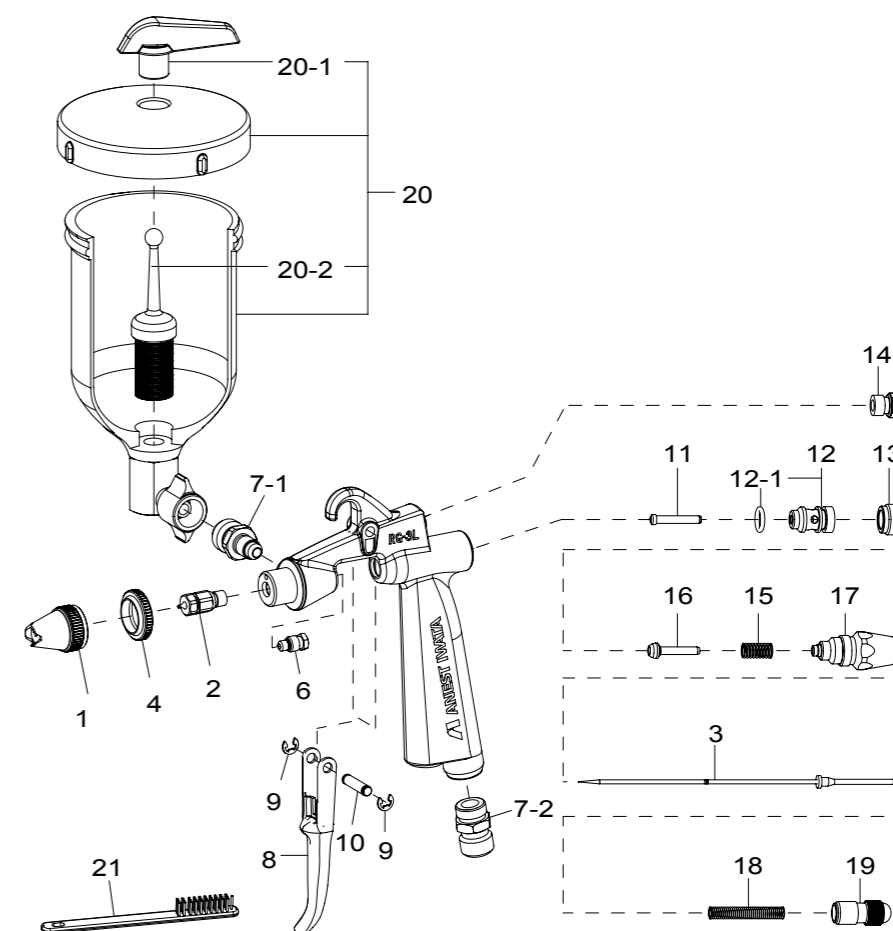
	Ø 0,4	Ø 0,6	Ø 1,0
RG-3L SPRAY GUN	13058600	13058610	13058620
RG-3L SPRAY GUN with 200 ml CUP	13058606	13058616	13058626
RG-3L SPRAY GUN with 130 ml CUP	13058605	13058615	13058625
AIR CAP SET	93022890	93025880	93026880
FLUID NOZZLE SET	93042880	93041880	93040890
FLUID NEEDLE SET	93910880	93937880	93938880

RG-3L-3S Flat Pattern Spray Gun

	Ø 0,6		
RG-3L-S3 SPRAY GUN	13058650		
AIR CAP SET	93023881		
FLUID NOZZLE SET	93041880		
FLUID NEEDLE SET	93937880		



130 ml Gravity CUP



Spare Parts

Ref.	Code	Description	Qty.
1	Page 34	AIR CAP SET RG-3L	
1	Page 34	AIR CAP SET RG-3L-S3	
2	Page 34	NOZZLE SET	
3	Page 34	NEEDLE SET	
4	03028890	JAM NUT	
6	93940890	NEEDLE PACKING CARTRIDGE	
7-1	93005891	FLUID NIPPLE	
8	03162890	TRIGGER	
9	03912030	E STOPPER	(2 pcs./1 pk.)
10	03167890	TRIGGER STUD	
11	03006880	AIR VALVE SHAFT	
12	03912880	AIR VALVE SEAT SET	
12-1	06638005	'O' RING	
13	03011880	AIR VALVE SEAT SCREW	
14	93027880	PLUG	
15	03012880	AIR VALVE SPRING	
16	03013880	AIR VALVE	
17	03936880	FLUID ADJ. GUIDE SET	
18	03015880	FLUID NEEDLE SPRING	
19	03017880	FLUID ADJ. KNOB	
21	W2COM6163	BRUSHES	(5 pcs./1 pk.)

Ref.	Code	Description
20	14018186F	PC-52 AG SIDE GRAVITY CUP 200 ml
	14018190	PC 61 SIDE GRAVITY CUP 130 ml

Accessories

Code	Description
W2KIT55SV	CLEANING KIT (page 75)
93280881	SPANNER FOR RG-3L

Standard
Quality

FEATURES

- Robust hobby spray gun for decorative paintings with normal nozzles
- Simple operation of the control knobs, for right and left handers
- Large nozzle selection
- Costs for replacement of spare parts are extremely customer friendly



70 ml
Gravity CUP

Technical Data	Ø mm	No.	bar	m ² /min	N ² /min	mm
	AZ5	0.3	3	3.0	19.6	
	0.5	5	26.9		130	110
	0.8	8	41.6			130
	1.0	10	62.9		170	140

• Air nipple: G1/4" • Fluid nipple: G1/8"

with 70 ml CUP

AZ5
PCG-1P-1B CUP - 70 ml
Universal Spanner

Carton Box



Order Information

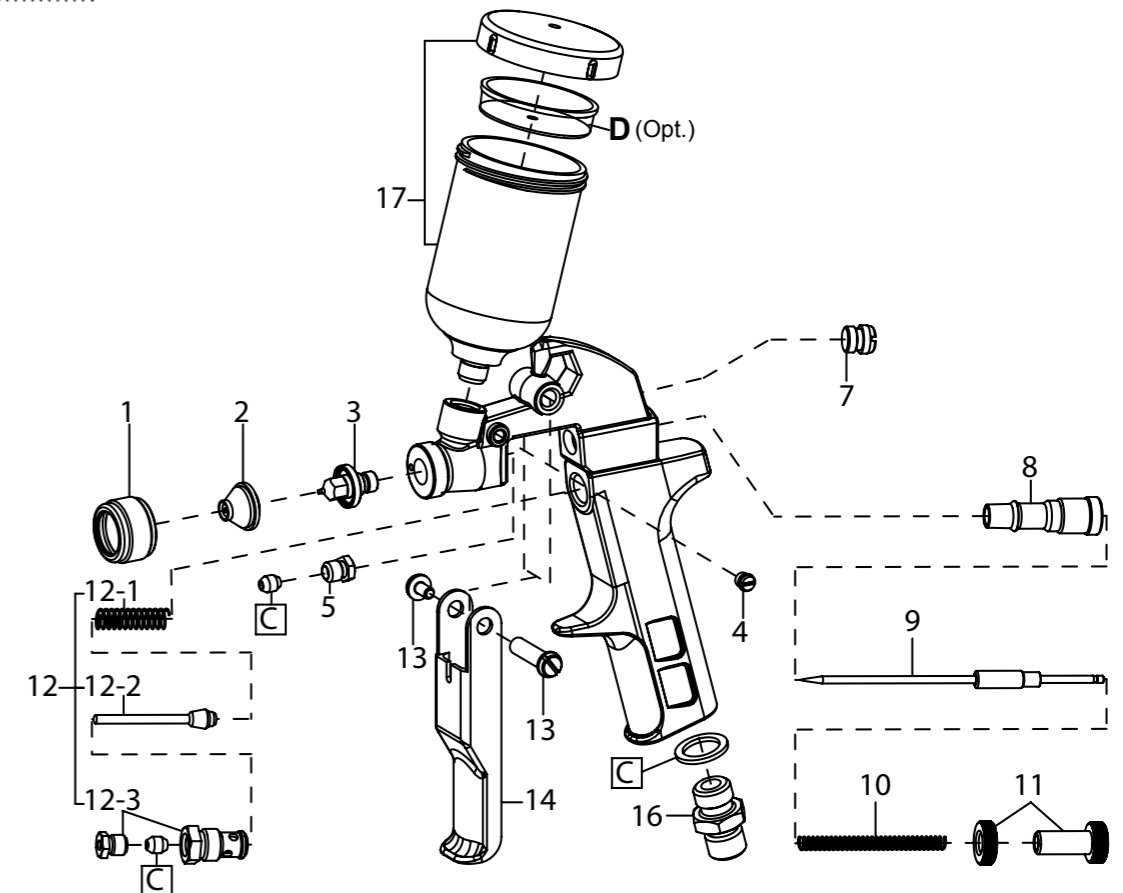
AZ5	with 70 ml CUP			
	Ø 0,3	Ø 0,5	Ø 0,8	Ø 1,0
AZ5 SPRAY GUN - with 70 ml CUP	W0018000003	W0018000005	W0018000008	W0018000010
AIR CAP SET	W2011140200	W2011140700	W2011140800	W2011140900
NOZZLE SET + NEEDLE SET	W2012330800	W2012330900	W2012331000	W2012331100



ADAPTING NIPPLE



E



Spare Parts

Ref.	Code	Description
1	W2011140100	AIR CAP COVER
4	W2COM5004	SCREW
5	W2011131100	NEEDLE PACKING NUT
7	W2010940500	PLUG
8	W2010940600	FLUID NEEDLE GUIDE
10	W2012340400	FLUID NEEDLE SPRING
11	W2012331500	FLUID ADJ. KNOB
12	W2012320200	AIR VALVE SET
12-1	W2010942100	AIR VALVE SPRING
12-2	W2012331600	AIR VALVE
12-3	W2010930400	AIR VALVE SEAT SET
13	W2COM4008	TRIGGER STUD
14	W2010941800	TRIGGER
16	W2052191414	AIR NIPPLE G1/4" M
C	W2500100400	PACKING SET

Ref.	Code	Description	Qty.
17	W0012320100	PCG-1P-1B-AZ GRAVITY CUP 70 ml	
D	W2KIT52	NON DRIP SET (optional)	(3 pcs./1 pk.)
A	W0010920900	GRAVITY CUP 200 ml	
D	W2KIT07	NON DRIP SET	(5 pcs./1 pk.)
E	W2052591812	ADAPTING NIPPLE	
F	W2KIT06	PAINT FILTER SET 50 Mesh (297µ)	(5 pcs./1 pk.)
	93505910	UNIVERSAL SPANNER	

AIRBRUSH Guns

Premium Quality

Kustom series



FEATURES

- High End Airbrush spray gun for professionals in kustom painting
- Extreme control of ultra fine-line spray
- Silky-smooth atomization
- Ultimate paint-flow control with hand-tuned, hand-adjusted performance
- Teflon packing, large cups, pre-set handles, taller triggers
- MAC-System air regulation on material output (Micron CM, Hi-Line CH)

Order Information

	ø 0,23	ø 0,30	ø 0,35
Kustom Micron CM	K 9000	----	----
Kustom Revolution TR	----	K 9400	----
Kustom HI-Line CH	----	K 9100	----
Kustom Eclipse CS	----	----	K 9300

High Quality

Eclipse series



FEATURES

- Double-Action = independent air and material control
- Paint flow control
- Self-centering nozzle
- Quick change of nozzles without tools
- Easy to clean with plug nozzle
- Also available with a suction cup system (HP-BCS)

Order Information

	ø 0,35	ø 0,5
Eclipse HP-CS	ECL 4500	----
Eclipse HP-SBS	ECL 3500	----
Eclipse HP-BS	ECL 2500	----
Eclipse HP-BCS	----	ECL 2000

Standard Quality

NEO series



FEATURES

- Low priced entry into the world of Iwata Airbrush
- Double-Action = independent air and material control
- Incl. removable cup 7.0ml and 1.8ml or without cup for small quantities 1.0 ml
- Also available with a suction cup system (HP-BCN)

Order Information

	ø 0,35	ø 0,5
Neo HP-CN	N 4500	----
Neo HP-BCN	----	N 2000

AIRBRUSH Kits

Deluxe Kit



FEATURES

- Airbrush deluxe set inclusive
- HP-CS Airbrush gun Revolution
- IS 850 Smart Jet Compressor
- HPA QJP Quick Joint
- Table Top Cleaning Station
- Kit an OPAQUE Primary
- Moisture Filter
- Lubricant 14ml
- DVD Eddie Young
- Airbrush Cleaner 112ml
- Freehand Airbrush Template

Order Information

AIRBRUSH DELUXE KIT	DLXIS850CS
---------------------	------------

Starter Kit



FEATURES

- Airbrush starter kit inclusive
- HP-CR Airbrush gun Revolution
- IS50 Silver Jet Compressor black
- HPA CH 41 Air Hose 1/8-1/8

Order Information

AIRBRUSH STARTER KIT	CRIS50BLKDE
----------------------	-------------

Basic Kit



FEATURES

- Airbrush basic kit inclusive
- HP-CR Airbrush gun Revolution
- IS50 Silver Jet Compressor black
- HPA CH 41 Air Hose 1/8-1/8
- Colorkit 8-100-X

Order Information

AIRBRUSH BASIC KIT	AP500
--------------------	-------

Find all other products for AIRBRUSH and also any spare parts in the separate AIRBRUSH Price List

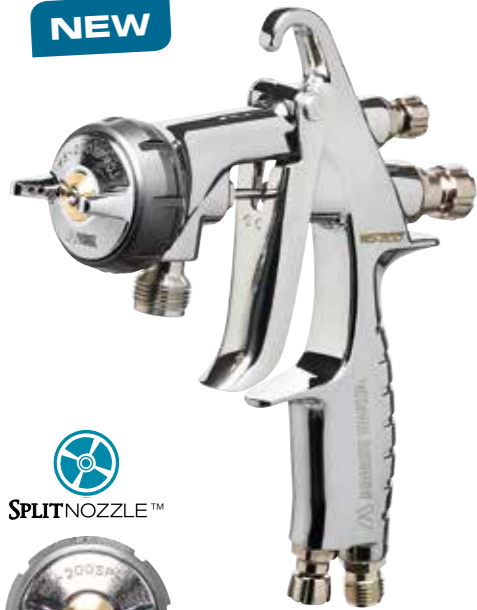
WS-200 SP

WS-200 SP

Premium Quality



NEW



FEATURES

- With Splitnozzle Pre Atomization Technology
- For all modern paint systems
- Very consistent and homogeneous spray pattern
- Fine and soft application of paints
- Extremely high transfer rates
- Unparalleled finish results
- Reducing process time of application
- High process safety, reducing the risk of overspray
- High material saving potential

MODELS

WS-200 SP Pressure Spray Gun with Split Nozzle		• Air Nipple: G1/4" • Fluid Nipple (fixed): G3/8"			
WS-200SP-0801	0.8	WS-200SP-01	2.5	435	210
WS-200SP-1001	1.0				230
WS-200SP-1201	1.2				240
WS-200SP-1401	1.4				240
WS-200SP-1601	1.6				255
WS-200SP-1801	1.8	265			

7.1 Quick Fan Pattern Control



7.2 Push Pull Pattern Adjustment Set



7.3 Lock Pattern Adjustment



24+25 Quick Coupling with Nipple



22 Fluid Tube Stainless Steel



27 + 28 Filter Housing + Filter



Order Information

WS-200 SP	ø 0,8	ø 1,0	ø 1,2
WS-200 SP SPRAY GUN	13000120	13000130	13000140
AIR CAP SET (WS-200 SP-01)		93001300	
FLUID NOZZLE + FLUID NEEDLE SET *	93002050	93001990	93001340
FLUID NOZZLE + FLUID NEEDLE SET	93007240	93007490	93007750

*FLUID NEEDLE with Heating Treatment

WS-200 SP	ø 1,4	ø 1,6	ø 1,8
WS-200 SP SPRAY GUN	13000680	13000690	13000700
AIR CAP SET (WS-200 SP-01)		93001300	
FLUID NOZZLE + FLUID NEEDLE SET *	93003520	93003680	93003690
FLUID NOZZLE + FLUID NEEDLE SET	93007620	93007650	93007660

*FLUID NEEDLE with Heating Treatment

Carton Box

WS-200 Pressure Spray Gun
Cleaning Brushes
Universal Spanner (ref. 19)

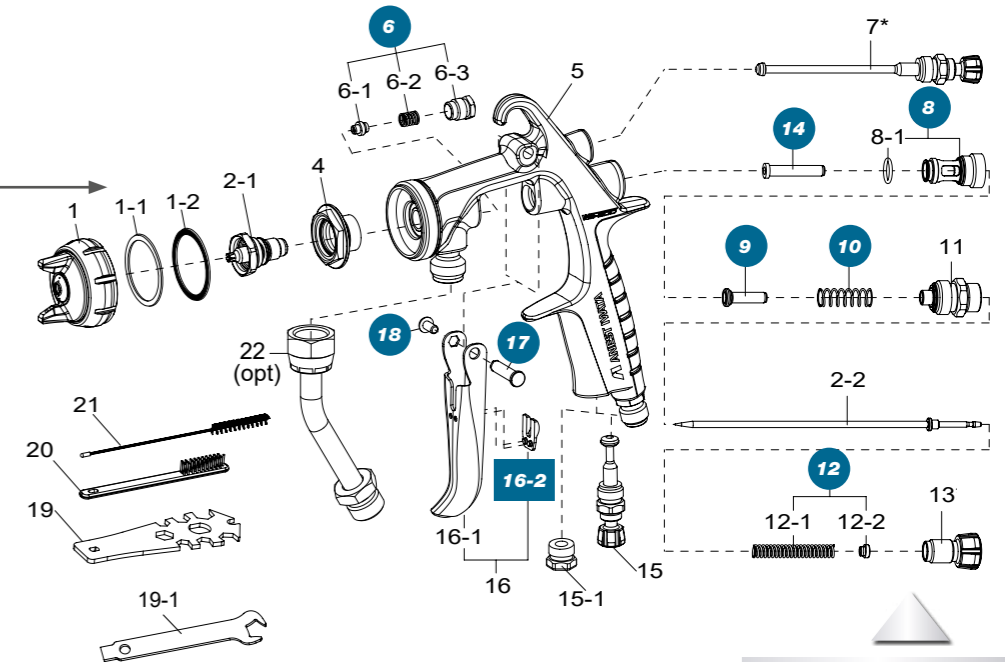
WS-200 SP

WS-200 SP

1-1 air cap packing white:
seals air cap to tightening nut

1-2 air cap packing transparent:
seals air cap to gun body
(transparent seal must be visible from the inside of the air cap)

TIPP:
change always both air cap packings as a couple



19.1 SPANNER
for Lock Pattern
Adjustment and
Lock Fluid Adjustment

13.1 Lock Fluid Adjustment

Spare Parts

Ref.	Code	Description
1	Page 40	AIR CAP SET WS-200SP-01
1-1	93505330	AIR CAP PACKING (WHITE)
1-2	93001330	AIR CAP PACKING (TRANSPARENT)
2-1 + 2-2	Page 40	NOZZLE + NEEDLE SET WS-200SP
2-2	93001380	SPECIAL NEEDLE with TIP in DELRIN ø 0.8; 1.0; 1.2
2-2	93005700	SPECIAL NEEDLE with TIP in DELRIN ø 1.4; 1.6; 1.8
4	93007750	BAFFLE RING SET (BAFFLE RING + PACKING)
4	93001501	BAFFLE RING
	93001550	BAFFLE RING PACKING
6	93001410	NEEDLE PACKING SET
6-1	93001420	NEEDLE PACKING
6-2	93001430	NEEDLE PACKING SPRING
6-3	93001450	NEEDLE PACKING NUT
7	93001561	PATTERN ADJUSTMENT*
7-1	93003300	QUICK FAN PATTERN CONTROL
7-2	93003270	PUSH PULL PATTERN ADJUSTMENT SET
7-3	93003240	LOCK PATTERN ADJUSTMENT
8	93001640	AIR VALVE SEAT SET
8-1	93001680	O RING
9	93001690	AIR VALVE
10	93001700	AIR VALVE SPRING
11	93001710	FLUID ADJUSTMENT GUIDE SET
12	93002820	NEEDLE SPRING SET
12-1	93593530	NEEDLE SPRING
12-2	93001760	NEEDLE SPRING PACKING
13	93001780	FLUID ADJUSTMENT KNOB
13-1	93003200	LOCK FLUID ADJUSTMENT
14	93001790	AIR VALVE SHAFT
15	93001800	AIR ADJUSTMENT SET

Ref.	Code	Description
15-1	93625370	PLUG
16	93001820	TRIGGER SET
16-1	93001850	TRIGGER
16-2	93001860	TRIGGER PLATE
17	93001870	TRIGGER STUD
18	93001960	HEX. SOCKET BUTTON BOLT
19	93505910	UNIVERSAL SPANNER
19-1	93003340	SPANNER for LOCK PATTERN ADJUSTMENT and for LOCK FLUID ADJUSTMENT
20	W2COM6163	BRUSHES (5 pcs.)
	93005690	REPAIRING KIT WS-200 includes: Needle packing set ref. 6; Air valve seat set ref.8; Air valve ref.9; Air valve spring ref.10; Fluid adj. guide set ref.11; Needle spring ref. 12; Air valve shaft ref.14; Trigger plate ref.16-2; Trigger stud ref.17; Hex. socket button bolt ref.18
21	W2COM6162	TWISTED BRUSHES ø10mm (5 pcs.)
22	W2COM5052	FLUID TUBE 3/8" Stainless Steel
23	93001540	AIR NIPPLE G1/4"

Accessories

Ref.	Code	Description
24	PJQ-03P	QUICK JOINT NIPPLE 3/8" IG
25	PJQ-03S	QUICK JOINT 3/8" AG
	14375800	"L" ROTATING AIR HOSE JOINT
27	VLA-000	FILTER HOUSING F 3/8"- M 3/8" SS
28	VLA-070-1	FILTER 70 MESH SS
28	VLA-100-1	FILTER 100 MESH SS
28	VLA-150-1	FILTER 150 MESH SS
28	VLA-200-1	FILTER 200 MESH SS

WS-200 FT

WS-200 FT

WS-200 FT

Premium Quality



NEW



FLAT TIP NOZZLE



FEATURES

- With traditional Flat Tip Nozzle (Round nozzle) delivering high quality results
- For all conventional paint systems

MODELS

WS-200 FT Pressure Spray Gun with FLAT TIP Nozzle		• Air Nipple: G1/4" • Fluid Nipple (fixed): G3/8"			
WS-200FT-0801	0.8	WS-200FT-01	2.5	380	240
WS-200FT-1001	1.0				210
WS-200FT-1201	1.2				210
WS-200FT-1401	1.4				240
WS-200FT-1601	1.6				240
WS-200FT-1801	1.8	WS-200FT-02	3.0	475	215
WS-200FT-0802	0.8				250
WS-200FT-1002	1.0				255
WS-200FT-1202	1.2				255
WS-200FT-1402	1.4				270
WS-200FT-1602	1.6	285			
WS-200FT-1802	1.8				

7.1 Quick Fan Pattern Control



7.2 Push Pull Pattern Adjustment Set



7.3 Lock Pattern Adjustment



24+25 Quick Coupling with Nipple



22 Fluid Tube Stainless Steel



27 + 28 Filter Housing + Filter



Order Information

WS-200 FT	ø 0,8	ø 1,0	ø 1,2
WS-200FT-01 SPRAY GUN	13000150	13000160	13000170
WS-200FT-02 SPRAY GUN	13000180	13000190	13000200
AIR CAP SET (WS-200 FT-01)		93002070	
AIR CAP SET (WS-200 FT-02)		93002190	
FLUID NOZZLE + FLUID NEEDLE SET	93002180	93002150	93002130

WS-200 FT	ø 1,4	ø 1,6	ø 1,8
WS-200FT-01 SPRAY GUN	13000600	13000610	13000620
WS-200FT-02 SPRAY GUN	13000630	13000640	13000650
AIR CAP SET (WS-200 FT-01)		93002070	
AIR CAP SET (WS-200 FT-02)		93002190	
FLUID NOZZLE + FLUID NEEDLE SET	93003420	93003480	93003500

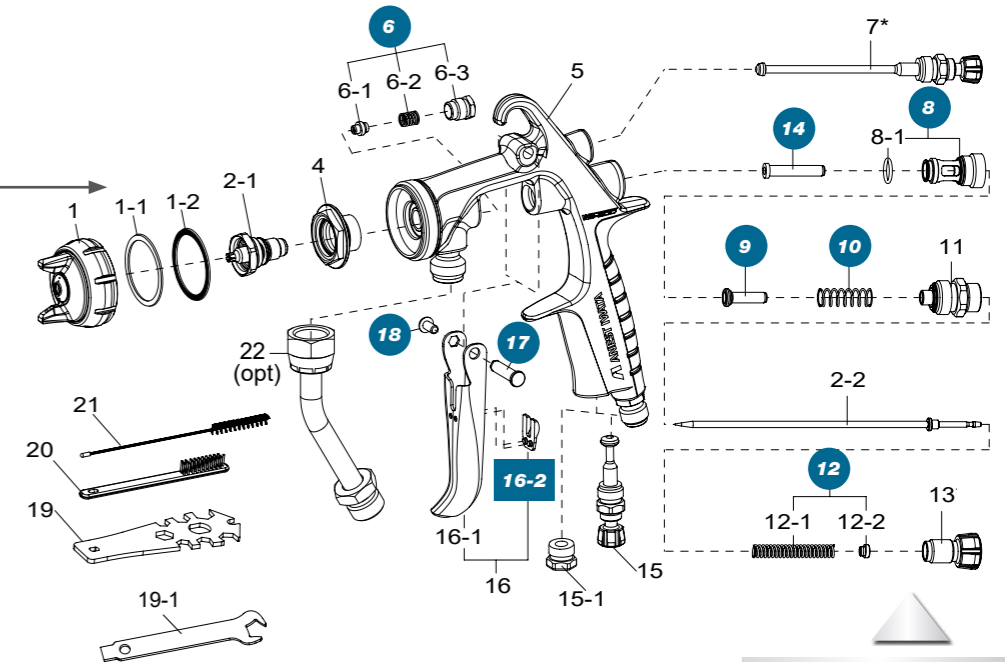
Carton Box

- WS-200 Pressure Spray Gun
- Cleaning Brushes
- Universal Spanner (ref. 19)

1-1 air cap packing white: seals air cap to tightening nut

1-2 air cap packing transparent: seals air cap to gun body (transparent seal must be visible from the inside of the air cap)

TIPP: change always both air cap packings as a couple



19.1 SPANNER for Lock Pattern Adjustment and Lock Fluid Adjustment

13.1 Lock Fluid Adjustment

Spare Parts

Ref.	Code	Description	Ref.	Code	Description
1	Page 42	AIR CAP SET WS-200FT-01 and WS-200FT-02	15-1	93625370	PLUG
1-1	93505330	AIR CAP PACKING (WHITE)	16	93001820	TRIGGER SET
1-2	93001330	AIR CAP PACKING (TRANSPARENT)	16-1	93001850	TRIGGER
2-1 + 2-2	Page 42	NOZZLE + NEEDLE SET WS-200FT	16-2	93001860	TRIGGER PLATE
2-2	93001380	SPECIAL NEEDLE with TIP in DELRIN ø 0.8; 1.0; 1.2	17	93001870	TRIGGER STUD
2-2	93005700	SPECIAL NEEDLE with TIP in DELRIN ø 1.4; 1.6; 1.8	18	93001960	HEX. SOCKET BUTTON BOLT
4	93007750	BAFFLE RING SET (BAFFLE RING + PACKING)	19	93505910	UNIVERSAL SPANNER
4	93001501	BAFFLE RING	19-1	93003340	SPANNER for LOCK PATTERN ADJUSTMENT and for LOCK FLUID ADJUSTMENT
	93001550	BAFFLE RING PACKING	20	W2COM6163	BRUSHES (5 pcs.)
6	93001410	NEEDLE PACKING SET		93005690	REPAIRING KIT WS-200 includes: Needle packing set ref. 6; Air valve seat set ref.8; Air valve ref.9; Air valve spring ref.10; Fluid adj. guide set ref.11; Needle spring ref. 12; Air valve shaft ref.14; Trigger plate ref.16-2; Trigger stud ref.17; Hex. socket button bolt ref.18
6-1	93001420	NEEDLE PACKING	21	W2COM6162	TWISTED BRUSHES ø10mm (5 pcs.)
6-2	93001430	NEEDLE PACKING SPRING	22	W2COM5052	FLUID TUBE 3/8" Stainless Steel
6-3	93001450	NEEDLE PACKING NUT	23	93001540	AIR NIPPLE G1/4"
7	93001561	PATTERN ADJUSTMENT*			
7-1	93003300	QUICK FAN PATTERN CONTROL			
7-2	93003270	PUSH PULL PATTERN ADJUSTMENT SET			
7-3	93003240	LOCK PATTERN ADJUSTMENT			
8	93001640	AIR VALVE SEAT SET			
8-1	93001680	O RING			
9	93001690	AIR VALVE			
10	93001700	AIR VALVE SPRING			
11	93001710	FLUID ADJUSTMENT GUIDE SET			
12	93002820	NEEDLE SPRING SET			
12-1	93593530	NEEDLE SPRING			
12-2	93001760	NEEDLE SPRING PACKING			
13	93001780	FLUID ADJUSTMENT KNOB			
13-1	93003200	LOCK FLUID ADJUSTMENT			
14	93001790	AIR VALVE SHAFT			
15	93001800	AIR ADJUSTMENT SET			

Accessories

Ref.	Code	Description
24	PJQ-03P	QUICK JOINT NIPPLE 3/8" IG
25	PJQ-03S	QUICK JOINT 3/8" AG
	14375800	"L" ROTATING AIR HOSE JOINT
27	VLA-000	FILTER HOUSING F 3/8"- M 3/8" SS
28	VLA-070-1	FILTER 70 MESH SS
28	VLA-100-1	FILTER 100 MESH SS
28	VLA-150-1	FILTER 150 MESH SS
28	VLA-200-1	FILTER 200 MESH SS

WS-200 FT

W-200 PRESSURE Series



W-200 WB Pressure Cleaning Brushes Universal Spanner

W-200 Pressure Cleaning Brushes Universal Spanner

FEATURES

- High speed operation while maintaining the same surface quality
- VOC-compliant professional spray gun, significantly more than 65% of efficiency
- Large and uniform flat&thin spray pattern with fine atomization for large areas
- W-200 WB with Split Nozzle Technology / W-200 with Round Nozzle
- For Anest Iwata -typical: quiet and pleasant background noise
- With 380g one of the more lightweight pressure feed spray guns on the market
- Simple operation of the control knobs, for right and left handers
- Conical seal nozzle, minimum wear parts
- Clearer design, easy maintenance / Quality surface for an easy cleaning
- Combinable with all Anest Iwata diaphragm pumps and pressure tanks

W-200 WB

Premium Quality



W-200



SPLIT NOZZLE

SPLITNOZZLE™

Pre Atomzation TECHNOLOGY

Technical Data	Ø mm	No.	bar	m ² /min	N ² /min	mm
W-200-WB-081P	0.8	WB(S)1	1.6	200	340	360
W-200-WB-101P	1.0			250		360
W-200-WB-121P	1.2			300		380

• Air Nipple: G1/4" • Fluid Nipple: G3/8"

Order Information

W-200 WB	Ø 0,8	Ø 1,0	Ø 1,2	Ø 1,4
W-200 WB SPRAY GUN - WBS1	13243250	13243260	13243270	13243280
AIR CAP SET (WBS1)	93640620			
W-200 WB SPRAY GUN - WB1	13240800	13240810	13240820	13240821
AIR CAP SET (WB1)	93609620			
FLUID NOZZLE + FLUID NEEDLE SET	93606620	93612620	93616620	93643620

High Quality

Technical Data	Ø mm	No.	bar	m ² /min	N ² /min	mm
W-200-084P	0.8	LV2	2.0	255	360	280
W-200-104P	1.0			280		280
W-200-124P	1.2			280		280
W-200-082P	0.8	G2P	3.0	500	560	400
W-200-102P	1.0			500		400
W-200-122P	1.2			500		400

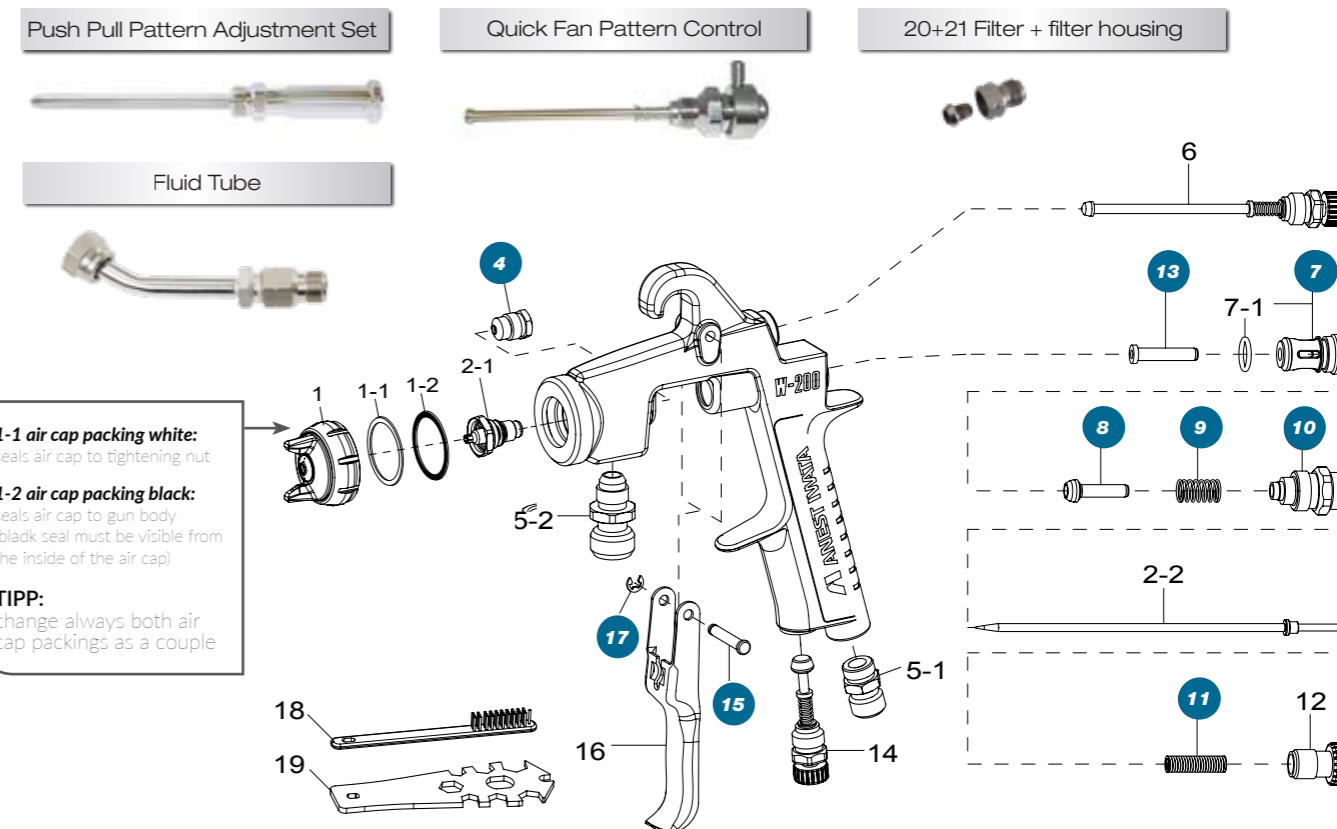
• Air Nipple: G1/4" • Fluid Nipple: G3/8"

Order Information

W-200	Ø 0,8	Ø 1,0	Ø 1,2	Ø 1,5
W-200 SPRAY GUN- G2P	13240505	13240496	13240500	----
AIR CAP SET G2P	93818610B			
W-200 SPRAY GUN - LV2	13240003	13240004	13240100	13240110
AIR CAP SET - LV2	93830610B			
FLUID NOZZLE + FLUID NEEDLE SET	93889610	93890610	93891610	----
FLUID NOZZLE + FLUID NEEDLE SET	----	----	----	93822610



W-200 PRESSURE Series



1-1 air cap packing white: seals air cap to tightening nut
 1-2 air cap packing black: seals air cap to gun body (black seal must be visible from the inside of the air cap)
 TIPP: change always both air cap packings as a couple

Spare Parts

Ref.	Code	Description	Qty.
1	Page 44	AIR CAP SET G2P	
1	Page 44	AIR CAP SET LV2	
1	Page 44	AIR CAP SET WB1	
2-1 + 2-2	Page 44	NOZZLE + NEEDLE SET W-200	Ø 0.8/1.0/1.2
2-1 + 2-2	Page 44	NOZZLE + NEEDLE SET W-200	Ø 1.5
2-1 + 2-2	Page 44	NOZZLE + NEEDLE SET W-200 WB	
1-1	03708240	AIR CAP PACKING (WHITE)	
1-2	03512600	AIR CAP "L" PACKING (BLACK)	
2-2	93507700	SPECIAL NEEDLE with TIP in Delrin	Ø 0.8/1.0/1.2
	W-200-X17-1	NEEDLE TIP in Delrin	Ø 0.8/1.0/1.2
4	03810620	NEEDLE PACKING CARTRIDGE	
5-1	03660300	AIR NIPPLE	
5-2	03515600	FLUID NIPPLE	
6	93840601	PATTERN ADJ. SET	
7	03843530	AIR VALVE SEAT	
7-1	06638008	'O'RING	
8	03591530	AIR VALVE	
9	03719530	AIR VALVE SPRING	
10	93844532	FLUID ADJ. GUIDE SET	
11	03593530	FLUID NEEDLE SPRING	
12	93594532	FLUID ADJ. KNOB	
13	93935430	AIR VALVE SHAFT	
14	93845531	AIR ADJ. SET	
14-1	93625370	PLUG (W200 S)	
15	03667360	TRIGGER STUD	

Ref.	Code	Description
16	03517600	TRIGGER
17	03912030	E STOPPER (2 pcs./1 pk.)
18	W2COM6163	BRUSHES (5 pcs/1pk)
19	93505910	UNIVERSAL SPANNER
20	VLA-000	FILTER HOUSING F 3/8"- M 3/8" SS
21	VLA-070-1	FILTER 70 MESH SS
21	VLA-100-1	FILTER 100 MESH SS
21	VLA-150-1	FILTER 150 MESH SS
21	VLA-200-1	FILTER 200 MESH SS

Accessories

Code	Description
W2KIT55SV	CLEANING KIT (page 75)
W2COM6190	REPAIRING KIT 2 (includes: air valve seat set, air valve, air valve spring, fluid needle spring, air valve shaft, fluid adj. guide set, trigger stud, e stopper, needle packing cartridge)
14375800	"L" ROTATING AIR HOSE JOINT
W-200-X1	QUICK FAN PATTERN CONTROL
93895611	PUSH PULL PATTERN ADJ. SET
W2COM5052	FLUID TUBE 3/8" Stainless Steel

W-200 HIGH T.E.C. - Pressure

W-200 SUCTION Series

FEATURES

- High speed operation while maintaining the same surface quality
- VOC-compliant professional spray gun, significantly more than 65% of efficiency
- Large and uniform flat&thin spray pattern with fine atomization for large areas
- W-200 WB with Split Nozzle Technology / W-200 with Round Nozzle
- For Anest Iwata -typical: quiet and pleasant background noise
- With 380g one of the more lightweight pressure feed spray guns on the market
- Simple operation of the control knobs, for right and left handers
- Conical seal nozzle, minimum wear parts
- Clearer design, easy maintenance / Quality surface for an easy cleaning
- Suction cup design (PCL 10 B3 1 lt. & PC 12 1 lt.) for high-viscosity materials

Carton Box

W-200 WB Suction Cleaning Brushes Universal Spanner

W-200 Suction Cleaning Brushes Universal Spanner



W-200 WB

Premium Quality



SPLIT NOZZLE

SPLITNOZZLE™

Pre Atomzation TECHNOLOGY

Suction Container PCL-10B3 (1 lt)



Technical Data

	Ø mm	No.	bar	ml/min	l/min	mm
W-200-WB-162S	1.6	WB2	2.0	430	340	360
W-200-WB-182S	1.8					

• Air Nipple: G1/4" • Fluid Nipple: G3/8"

Order Information

W-200 WB	Ø 1,6	Ø 1,8
W-200 WB (Spray gun only)	13240830	13240840
W-200 WB - with PCL 10 B3 Cup 1lt.	13240833	13240843
AIR CAP SET (WB2)	93624620	
FLUID NOZZLE + FLUID NEEDLE SET	93622620	93635620



W-200

High Quality



Suction Container PCL-10B3 (1 lt)



Technical Data

	Ø mm	No.	bar	ml/min	l/min	mm
W-200-142S	1.4	LV2	3.0	220	370	270
W-200-152S	1.5	K2		240	330	290
W-200-182S	1.8			290	330	340
W-200-202S	2.0	R2		350	360	290
W-200-251S	2.5	W1	760	500	370	

• Air Nipple: G1/4" • Fluid Nipple: G3/8"

Order Information

W-200	Ø 1,4	Ø 1,5	Ø 1,8	Ø 2,0	Ø 2,5
W-200 (Spray gun only)	13240498	13240520	13240530	13240550	13240250
W-200 with PCL 10 B3 Cup 1lt.	----	13240448	13240455	13240459	13240464
AIR CAP SET	LV2	K2		R2	W1
	93830610B	93816610B		93814610B	93813610B
FLUID NOZZLE + NEEDLE SET	93831610	93822610	93821610	93820610	93819610



W-200 SUCTION Series

PCL 10B3

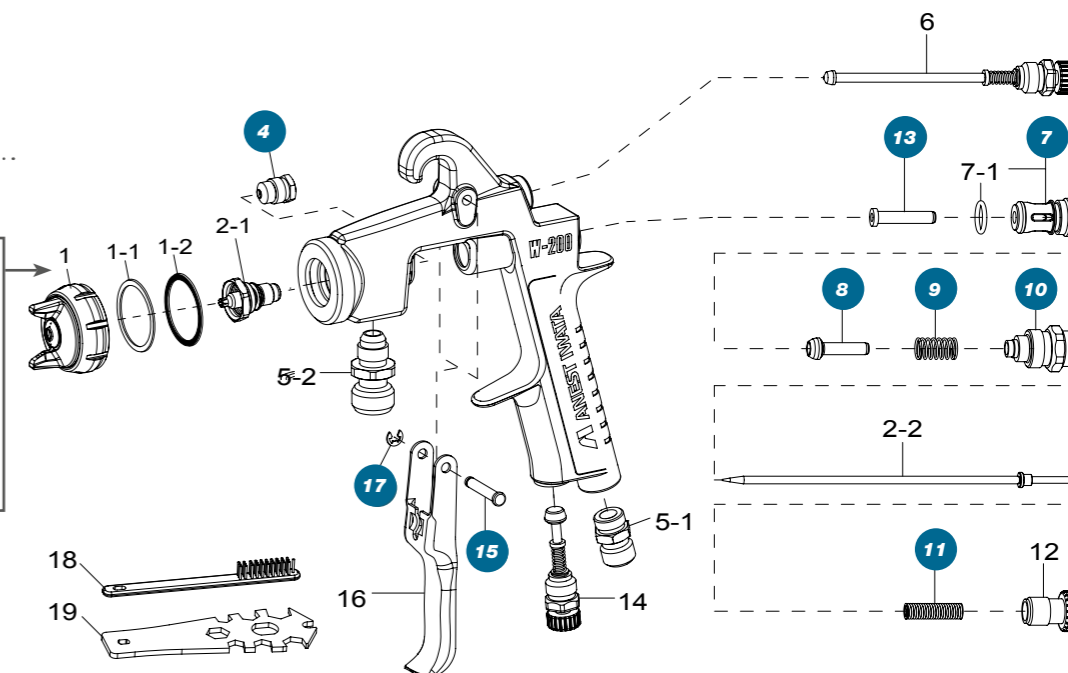
1 Liter Suction Container



1-1 air cap packing white: seals air cap to tightening nut

1-2 air cap packing black: seals air cap to gun body (black seal must be visible from the inside of the air cap)

TIPP: change always both air cap packings as a couple



Spare Parts

Ref.	Code	Description	Qty.
1	Page 46	AIR CAP SET W-200	
1	Page 46	AIR CAP SET W-200 WB	
2-1 + 2-2	Page 46	NOZZLE + NEEDLE SET W-200	
2-1 + 2-2	Page 46	NOZZLE + NEEDLE SET W-200 WB	
1-1	03708240	AIR CAP PACKING (WHITE)	
1-2	03512600	AIR CAP "L" PACKING (BLACK)	
4	03810620	NEEDLE PACKING CARTRIDGE	
5-1	03660300	AIR NIPPLE	
5-2	03515600	FLUID NIPPLE	
6	93840601	PATTERN ADJ. SET	
7	03843530	AIR VALVE SEAT	
7-1	06638008	'O'RING	
8	03591530	AIR VALVE	
9	03719530	AIR VALVE SPRING	
10	93844532	FLUID ADJ. GUIDE SET	
11	03593530	FLUID NEEDLE SPRING	
12	93594532	FLUID ADJ. KNOB	
13	93935430	AIR VALVE SHAFT	
14	93845531	AIR ADJ. SET	
14-1	93625370	PLUG (W200 S)	
15	03667360	TRIGGER STUD	
16	03517600	TRIGGER	
17	03912030	E STOPPER	(2 pcs./1 pk.)

Ref.	Code	Description
18	W2COM6163	BRUSHES (5 pcs./1 pk.)
19	93505910	UNIVERSAL SPANNER

Accessories

Code	Description
W2KIT55SV	CLEANING KIT (page 75)
W2COM6190	REPAIRING KIT 2 (includes: air valve seat set, air valve, air valve spring, fluid needle spring, air valve shaft, fluid adj. guide set, trigger stud, e stopper, needle packing cartridge)
14375800	"L" ROTATING AIR HOSE JOINT
001004050	TWIN HOSE (Air and Fluid) 1/4"-1/4" - 5 m
001004075	TWIN HOSE (Air and Fluid) 1/4"-1/4" - 7.5 m
001004100	TWIN HOSE (Air and Fluid) 1/4"-1/4" - 10 m
14018621	PCL 10 B3 SUCTION CONTAINER 1 lt.
04904281	CONTAINER FOR PCL 10 B3
04904302	NON DRIP SET for PCL 10 B3 (2pcs./1 pk.)
94008300	LID PACKING SET FOR PCL 10 B3 (2pcs./1 pk.)
04904311	FILTER 30 MESH FOR PCL 10 B3
04002200	PACKING FOR PC 12

W-200 HIGH T.E.C. - Suction

W-400 Classic Plus

W-400 Classic Plus

High Quality

Classic plus



FEATURES

- Universal spray gun for industrial coating
- VOC-compliant professional spray gun, significantly more than 65% transfer efficiency
- Large and uniformly shaped wet core, even with high viscosity materials
- Clearly noticeable reduction in banding
- 280 NI/min air consumption; also suitable for small compressors capacity
- For Anest Iwata -typical: quiet and pleasant background noise
- With 380 g one of the lightest guns on the market
- Conical seal nozzle, minimum wear parts
- Quality surface for an easy cleaning
- Clearer design, easy maintenance

Technical Data	Ø mm	No.	bar	ml/min	NI/min	mm
W-400-082G	0.8	LV2	2.0	60	280	80
W-400-102G	1.0			95		150
W-400-122G	1.2			100		175
W-400-132G	1.3			160		225
W-400-142G	1.4			210		225
W-400-162G	1.6	LV1	2.0	240	290	270
W-400-182G	1.8			320		260
W-400-202G	2.0			460		320
W-400-251G	2.5	W1	3.0	360	360	340

• Air nipple: G1/4" • Fluid nipple: M16 x 1.5mm

Order Information

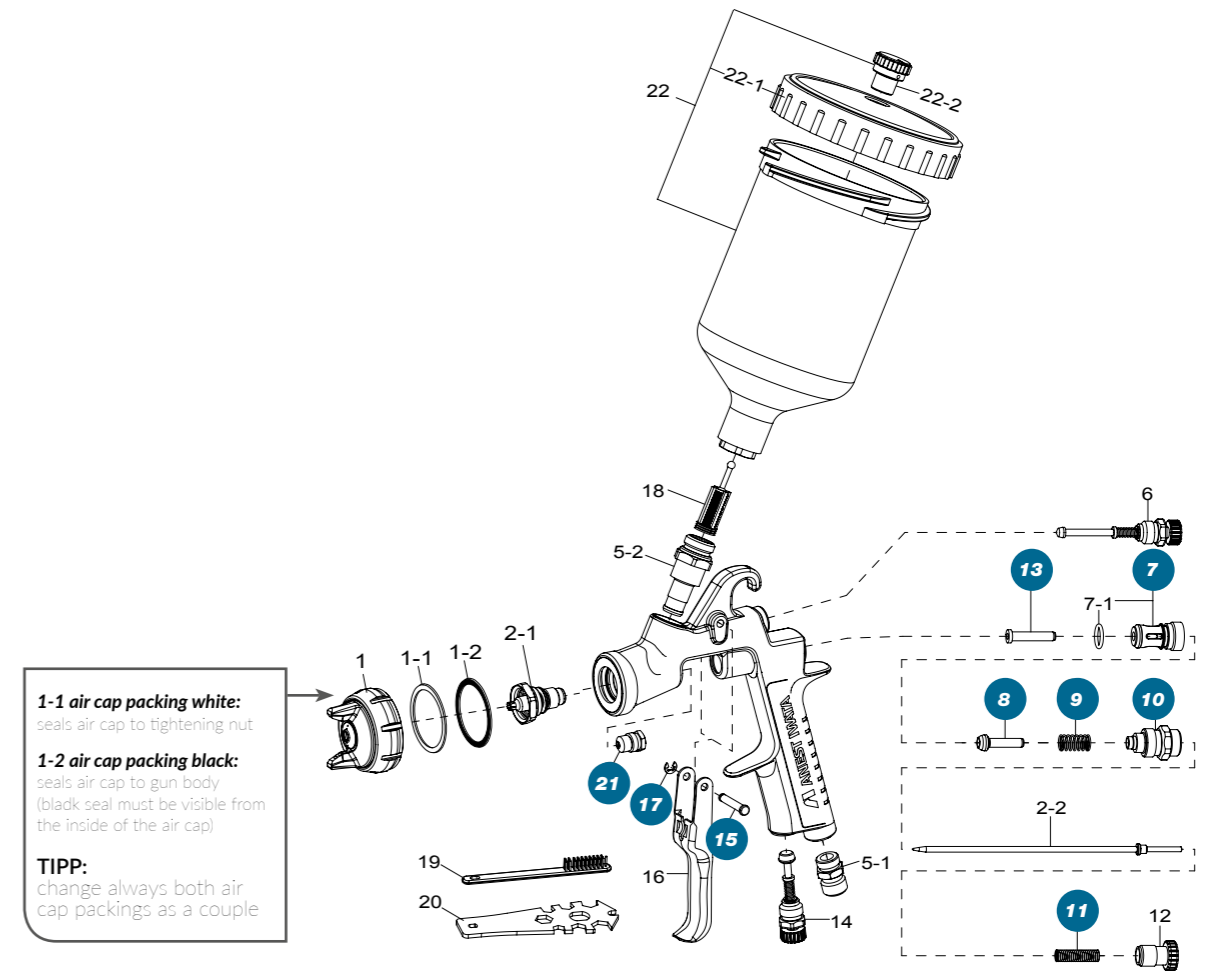
W-400 Classic Plus	with CUP PCG 6 PE 600 ml		
	Ø 0,8	Ø 1,0	Ø 1,2
W-400 - PRO KIT	13241401P	13241402P	13241403P
AIR CAP SET (LV2)		93830610B	
FLUID NOZZLE + FLUID NEEDLE SET	93889610	93890610	93823610

W-400 Classic Plus	with CUP PCG 6 PE 600 ml		
	Ø 1,3	Ø 1,4	Ø 1,6
W-400 - PRO KIT	13241404P	13241405P	13241406P
AIR CAP SET (LV2)		93830610B	
FLUID NOZZLE + FLUID NEEDLE SET	93881610	----	93832610
FLUID NOZZLE + FLUID NEEDLE SET	----	93831610	----

W-400 Classic Plus	with CUP PCG 6 PE 600 ml		
	Ø 1,8	Ø 2,0	Ø 2,5
W-400 - PRO KIT	13241407P	13241408P	13241409P
AIR CAP SET (LV2)	LV1 93859611	R2 93814610B	W1 93813610B
FLUID NOZZLE + FLUID NEEDLE SET	93821610	93820610	93819610

PRO KIT Carton Box

W-400 Classic Plus
PCG 6 PE CUP - 600 ml
Cleaning Brushes
Universal Spanner



Spare Parts

Ref.	Code	Description	Qty.
1	Page 48	AIR CAP SET	
2-1+ 2-2	Page 48	NOZZLE + NEEDLE SET	Ø 0.8/1.0/1.2/1.3/1.6
2-1+ 2-2	Page 48	NOZZLE + NEEDLE SET	Ø 1.4
2-1+ 2-2	Page 48	NOZZLE + NEEDLE SET	Ø 1.8/2.0/2.5
1-1	03708240	AIR CAP PACKING (WHITE)	
1-2	03512600	AIR CAP "L" PACKING (BLACK)	
5-1	03660300	AIR NIPPLE	
5-2	93650531	FLUID NIPPLE	
6	93842601	PATTERN ADJ. SET	
7	03843530	AIR VALVE SEAT SET	
7-1	06638008	'O'RING	
8	03591530	AIR VALVE	
9	03719530	AIR VALVE SPRING	
10	93844532	FLUID ADJ. GUIDE SET	
11	03593530	FLUID NEEDLE SPRING	
12	93594532	FLUID ADJ. KNOB	
13	93935430	AIR VALVE SHAFT	
14	93845531	AIR ADJ. SET	
15	03667360	TRIGGER STUD	
16	03517600	TRIGGER	
17	03912030	E STOPPER	(2 pcs./1 pk.)
18	03515500	FILTER 60 Mesh (250µ) Red	
19	W2COM6163	BRUSHES	(5 pcs./1 pk.)

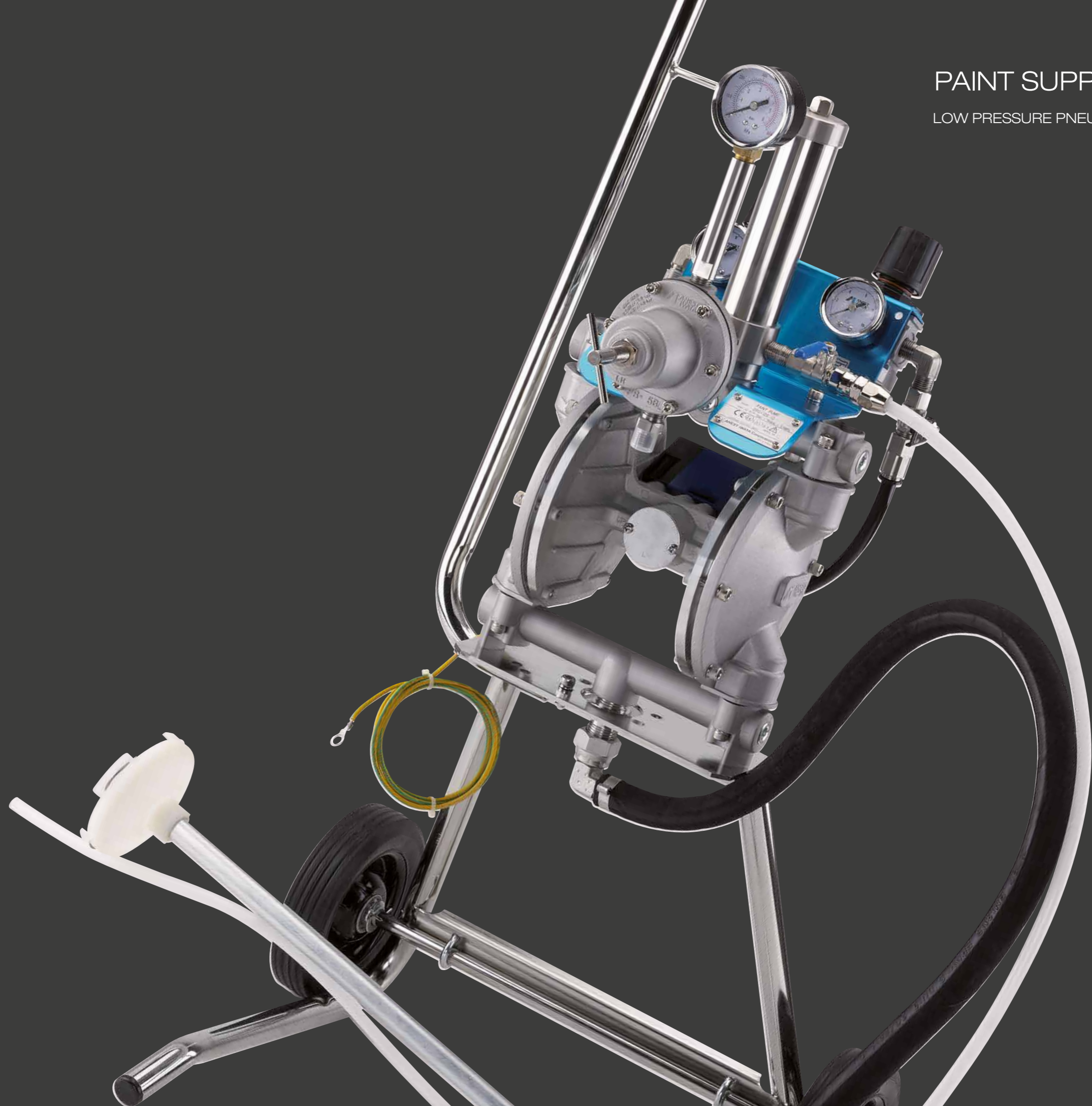
Ref.	Code	Description
20	93505910	UNIVERSAL SPANNER
21	03810620	NEEDLE PACKING CARTRIDGE
22	14011001	PCG-6-PE GRAVITY CUP 600 ml
22-1	04002300	LID
22-2	04003320	NON DRIP

Accessories

Code	Description
W2KIT55SV	CLEANING KIT (page 75)
W2COM6190	REPAIRING KIT 2 (includes: air valve seat set, air valve, air valve spring, fluid needle spring, fluid adj. guide set, air valve shaft, trigger stud, e stopper, needle packing cartridge)

PAINT SUPPLY SYSTEM

LOW PRESSURE PNEUMATIC EQUIPMENTS



FEATURES

- Double Diaphragm Paint Pumps in a compact and stylish designs are the perfect choice for the delivery of fluid media (solvent and water-based paints) to the supply of manual and automatic spray guns
- Fully pneumatic pump control with Double Spool air circuit. The reliable pump motor combined with the Double Spool air circuit promises an excellent finish. (Air pressure circuit conform to safety standard prEN12621).
- The pneumatic control system prevents the forced stoppage of the pump. Dead storage material channels and easily collapsible pump structure facilitate cleaning, inspection and maintenance.
- Wear-resistant pump assembly
- Available also with a 2-way connection (Aluminium & Stainless Steel models).

PUMP UNIT



DDP-120B.TE

PUMP UNIT



DDP-90F.TE

		DPS 120C -C-WB -CN	
UNIT ASSEMBLY	MODELS	Code	
ALUMINIUM	Pump unit	DDP-120B.TE	14068690
	On Stand	DPS-1201C.TE	14069030
	On Tank Mount	DPS-1202C.TE	14069110
	On Cart w/Dip tube	DPS-1203C.TE	14069190
	On Wall Mount	DPS-1204C.TE	14069270
	On Cart w/Hopper	DPS-12036C.TE	14069350
Paint Pressure Regulator PR-5BL			14608200

ALU. ANODIZED	Pump unit	DDP-120B-WB.TE	14068710
	On Stand	DPS-1201C-WB.TE	14069050
	On Tank Mount	DPS-1202C-WB.TE	14069130
	On Cart w/Dip tube	DPS-1203C-WB.TE	14069210
	On Wall Mount	DPS-1204C-WB.TE	14069290
	On Cart w/Hopper	DPS-12036C-WB.TE	14069370
Paint Pressure Regulator PR-5BL-WB			14608220

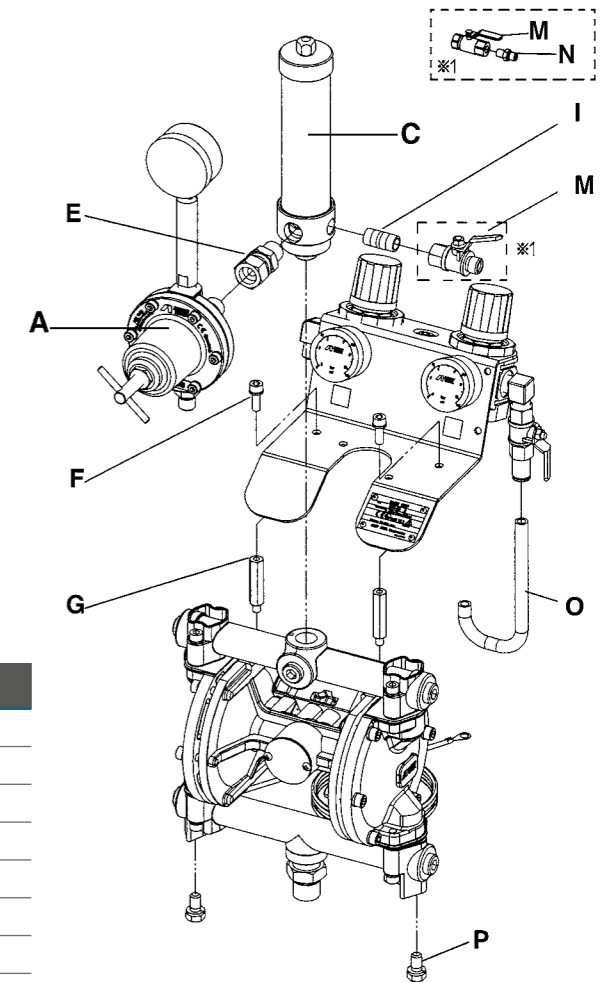
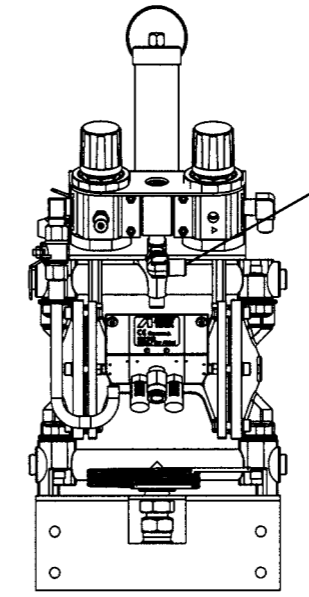
STAINLESS STEEL	Pump unit	DDP-120BN.TE	14068700
	On Stand	DPS-1201CN.TE	14069040
	On Tank Mount	DPS-1202CN.TE	14069120
	On Cart w/Dip tube	DPS-1203CN.TE	14069200
	On Wall Mount	DPS-1204CN.TE	14069280
	On Cart w/Hopper	DPS-12036CN.TE	14069360
Paint Pressure Regulator PR-5BLN			14608210

		DPS 90G -G-WB -GN	
MODELS	Code		
DDP-90F.TE	14068660		
DPS-901G.TE	14069000		
DPS-902G.TE	14069080		
DPS-903G.TE	14069160		
DPS-904G.TE	14069240		
DPS-9036G.TE	14069320		
PR-5BL	14608200		

DDP-90F-WB.TE	14068680		
DPS-901G-WB.TE	14069020		
DPS-902G-WB.TE	14069100		
DPS-903G-WB.TE	14069180		
DPS-904G-WB.TE	14069260		
DPS-9036G-WB.TE	14069340		
PR-5BL-WB	14608220		

DDP-90FN.TE	14068670		
DPS-901GN.TE	14069010		
DPS-902GN.TE	14069090		
DPS-903GN.TE	14069170		
DPS-904GN.TE	14069250		
DPS-9036GN.TE	14069330		
PR-5BLN	14608210		

Paint Pressure REGULATOR



Technical Data

Ratio	1:1	
Max. Working Pressure	7 bar (100 psi)	
Fluid Output at 30 cyc/min.	4.5 lt./min	1.5 lt./min
Fluid Output at 200 cyc/min. max.	30 lt./min	10 lt./min
Paint Viscosity	85 sec/ Ford#4	
Working Temperature	5~40 °C	
Paint outlet filter	100 mesh	
Suction paint filter	50 mesh	

Order Information

Ref.	Code	Description	for Models
A	14608200	PAINT REGULATOR SET PR-5BL	for Aluminium
A	14608220	PAINT REGULATOR SET PR-5BL-WB	for Aluminium Anodized
A	14608210	PAINT REGULATOR SET PR-5BLN	for Stainless Steel
C	94493020	PAINT FILTER SET	
E	06859803	SWIVEL JOINT	for DPS 120-1C/-2C/-3C/-4C/-36C_DPS 90-1G/-2G/-3G/-4G/-36G
E	06859591	SWIVEL JOINT	for DPS 120-1CN/-2CN/-3CN/-4CN/-36CN and -WB_DPS 90-1GN/-2GN/-3GN/-4GN/-36GN and -WB
F	06357501	HEX. SOCKET BOLT WITH WASHER	
G	04493000	CONNECTING BOLT	
I	06642002	NIPPLE	
M	04432650	BALL VALVE	for DPS120-1C/-2C/-3C/-4C/-36C and DPS90-1G/-2G/-3G/-4G/-36G
M	04433630	BALL VALVE	for DPS 120-1CN/-2CN/-3CN/-4CN/-36CN and -WB_DPS 90-1GN/-2GN/-3GN/-4GN/-36GN and -WB
N	04343310	JOINT G1/4"R1/4"	for DPS 120-1CN/-2CN/-3CN/-4CN/-36CN and -WB_DPS 90-1GN/-2GN/-3GN/-4GN/-36GN and -WB
O	04494040	PIPE	
P	06994758	WASHER BOLT	
S	06859563	ELBOW UNION	for DPS 120-4C/-4CN and DPS 90-4G/-4GN

on STAND

on TANK mount

on CART

on WALL mount

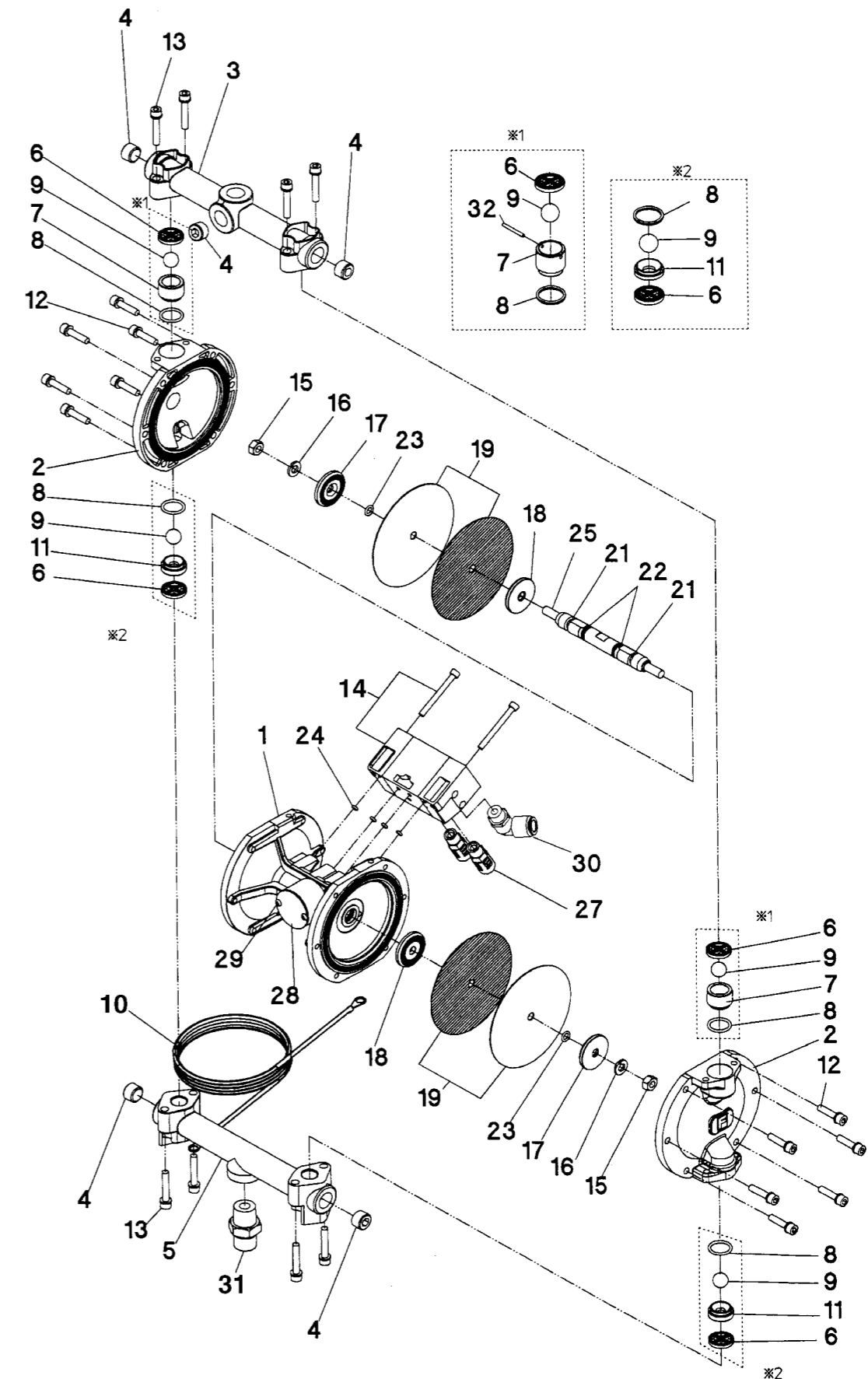
on CART + Hopper

Double DIAPHRAGM PUMPS

Spare Parts



Ref.	Code	Description	Qty.	DDP-90F	DDP-90FN	DDP-90F-WB	DDP-120B	DDP-120BN	DDP-120B-WB
1	94410622	MAIN BODY		X	X	X			
1	94437632	MAIN BODY					X	X	X
2	94456582	LID		X					
2	94414592	LID			X				
2	94456640	LID				X			
2	94439631	LID					X		
2	94453660	LID						X	
2	94439650	LID							X
3	94452640	UPPER ADAPTOR		X			X		
3	94414650	UPPER ADAPTOR			X			X	
3	94452650	UPPER ADAPTOR				X			X
4	06990413	HEXAGON SOCKET PLUG		X			X		
4	06367202	HEXAGON SOCKET PLUG			X	X		X	X
5	94441630	LOWER ADAPTOR		X			X		
5	94416592	LOWER ADAPTOR			X			X	
5	94441640	LOWER ADAPTOR				X			X
6	04935620	PACKING SET	(2 pcs.)	X	X	X			
6	94933290	PACKING SET	(2 pcs.)				X	X	X
7	04931630	EXHAUST VALVE	(2 pcs.)	X	X	X			
7	94935290	EXHAUST VALVE	(2 pcs.)				X	X	X
8	04932630	'O'RING SET	(2 pcs.)	X	X	X			
8	94930300	'O'RING SET	(2 pcs.)				X	X	X
9	04930630	STEEL BALL SET	(2 pcs.)	X	X	X			
9	94934290	STEEL BALL SET	(2 pcs.)				X	X	X
10	04492830	GROUND WIRE		X	X	X	X	X	X
11	04933630	INTAKE VALVE	(2 pcs.)	X	X	X			
11	94446630	INTAKE VALVE	(2 pcs.)				X	X	X
12	96357500	HEX. SOCKET BOLT WITH WASHER		X	X	X	X	X	X
13	96357502	HEX. SOCKET BOLT WITH WASHER		X	X	X	X	X	X
14	94490631	AIR OPERATING VALVE SET		X	X	X	X	X	X
15	06361081	HEX. NUT		X	X	X	X	X	X
16	06362080	SPRING WASHER		X	X	X	X	X	X
17	04414600	DIAPHRAGM HOLDER(OUTER)		X	X	X			
17	94448630	DIAPHRAGM HOLDER(OUTER)					X	X	X
18	94453581	DIAPHRAGM HOLDER(INNER)		X	X	X			
18	94449631	DIAPHRAGM HOLDER(INNER)					X	X	X
19	94931621	DIAPHRAGM SET	(2+2 pcs.)	X	X	X			
19	94932301	DIAPHRAGM SET	(2+2 pcs.)				X	X	X
21	06996610	'Y'PACKING		X	X	X	X	X	X
22	06630011	'O'RING		X	X	X	X	X	X
23	06630008	'O'RING		X	X	X	X	X	X
24	06630004	'O'RING		X	X	X			
24	06630006	'O'RING					X	X	X
25	04431590	ROD		X	X	X	X	X	X
27	04432590	MUFFLER		X	X	X	X	X	X
28	04456570	BLANKING COVER		X	X	X	X	X	X
29	06234002	TAPPING SCREW		X	X	X	X	X	X
30	06800202	ELBOW UNION		X	X	X	X	X	X
31	04427640	JOINT		X			X		
31	04428640	JOINT			X	X		X	X
32	94444630	PIN					X	X	X



PET Series (max. 7.0 bar)



PET-50
50 lt



PET-30
30 lt

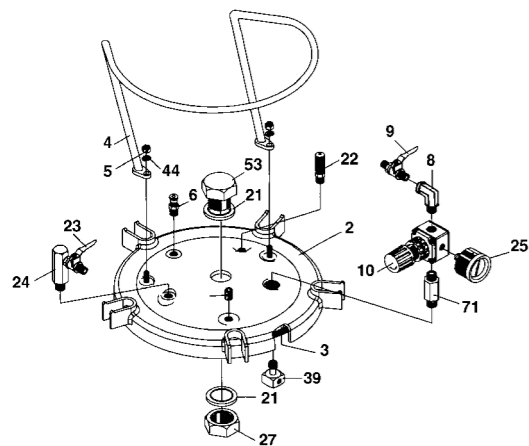


PET-10
10 lt

Pneumatic Agitator - AM-6B
Operating pressure: 1÷1.5 bar
Air consumption: 15 liter/min,
Max. air inlet pressure: 7.0 bar



N: without Pneumatic Agitator



FEATURES

- Stainless steel container, polished inside
- PET 10 (10 lt.), PET 30 (30 lt.), PET 50 (50 lt.)
- N: without pneumatic agitator
- MN: with pneumatic agitator
- Second material connection (optional)
- No additional lubrication of drive required
- All models conform to ATEX

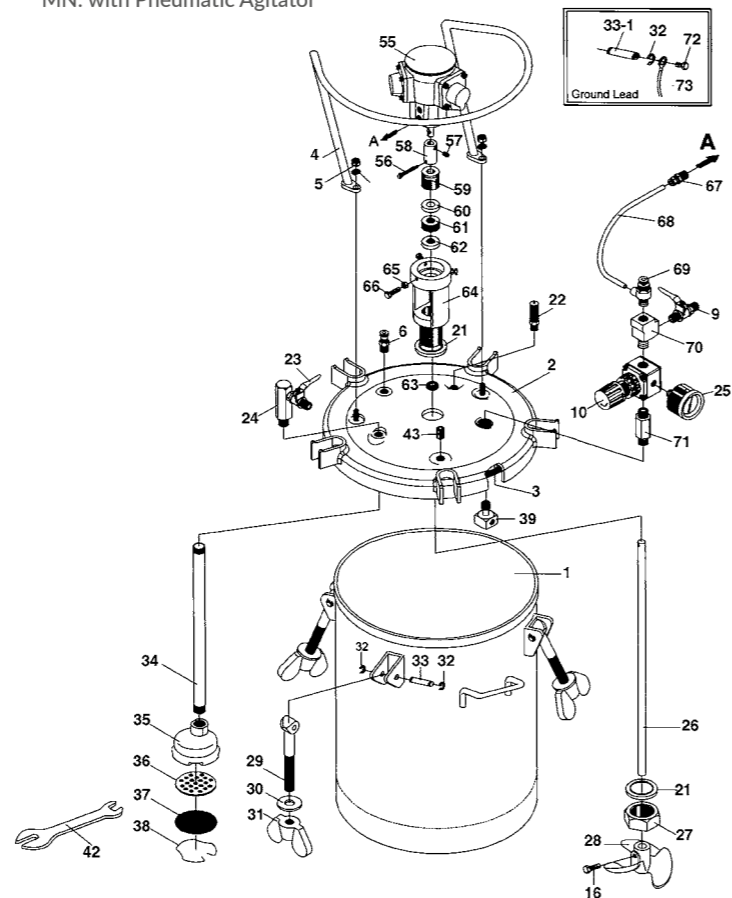
Technical Data

• Max. Working Pressure:	7 bar (100 psi)
• Air inlet Joint:	G 1/4" M
• Fluid outlet Joint:	G 3/8" M
• Working Temperature:	5~40 °C
• Mass:	PET 10 N 15.3 Kg PET 10 MN 17.5 Kg
	PET 30 N 20.4 Kg PET 30 MN 22.6 Kg
	PET 50 N 15.3 Kg PET 50 MN 28.2 Kg
• Dimensions:	PET 10 N /-10 MN 540 x 330 mm
	PET 30 N /-30 MN 710 x 415 mm
	PET 50 N /-50 MN 810 x 470 mm

Order Information | PET-10 - PET-30 - PET-50

PET Series	10 lt.	30 lt.	50 lt.
PET-10N	14972600	-	-
PET-10MN with pneumatic agitator	14972620	-	-
PET-30N	-	14972630	-
PET-30MN with pneumatic agitator	-	14972650	-
PET-50N	-	-	14972660
PET-50MN with pneumatic agitator	-	-	14972680

MN: with Pneumatic Agitator



PET Series (max. 7.0 bar)



Order Information

Ref.	Code	Description	10N	10MN	30N	30MN	50N	50MN
3	04015110	LID PACKING	X	X				
3	04015240	LID PACKING			X	X		
3	04016170	LID PACKING					X	X
4	04015250	HANDLE			X	X		
4	04019250	HANDLE	X	X				
4	04016180	HANDLE					X	X
5	04015140	HEXAGON NUT	X	X	X	X	X	X
6	04015150	EXHAUST VALVE	X	X	X	X	X	X
8	04015460	ELBOW	X		X		X	
9	04015170	TWO WAY VALVE (Air Inlet)	X	X	X	X	X	X
10	94015180	AIR PRESSURE REGULATOR	X	X	X	X	X	X
16	04019040	HEAD BOLT		X		X		X
21	04019100	SEALING RING	X	X	X	X	X	X
22	94016390	SAFETY VALVE	X	X	X	X	X	X
23	04015450	TWO WAY VALVE (Fluid outlet)	X	X	X	X	X	X
24	04015470	FLUID OUTLET ADAPTER	X	X	X	X	X	X
25	04016190	PRESSURE GAUGE	X	X	X	X	X	X
26	04016400	ROD + COUPLING (56+57+58)		X				
26	04016410	ROD + COUPLING (56+57+58)				X		
26	04016420	ROD + COUPLING (56+57+58)						X
27	04019120	FIXING NUT	X	X	X	X	X	X
28	04016430	PROPELLER		X		X		X
29	04015490	SWING BOLT	X	X	X	X	X	X
30	04016200	WASHER	X	X	X	X	X	X
31	04016210	THUMB NUT	X	X	X	X	X	X
32	94020220	E-STOPPER	X	X	X	X	X	X
33	94020230	PIN	X	X	X	X	X	X
33-1	04016440	PIN (SUS)	X	X	X	X	X	X
34	04016450	SUCTION PIPE	X	X				
34	04016460	SUCTION PIPE			X	X		
34	04016470	SUCTION PIPE					X	X
35	04015270	FILTER COVER			X	X	X	X
35	04016260	FILTER COVER	X	X				
36	04015280	FILTER BASE			X	X	X	X
36	04016270	FILTER BASE	X	X				
37	04015290	FILTER (40 Mesh)			X	X	X	X
37	04016280	FILTER (40 Mesh)	X	X				
38	04015300	FILTER STOPPER			X	X	X	X
38	94016290	FILTER STOPPER	X	X				
39	94016310	AIR FLOW GUIDE	X	X	X	X	X	X
43	06990412	HEX. SOCKET SCREW			X	X	X	X
44	06500804	SPRING WASHER	X	X	X	X	X	X
53	04016480	HEAD BOLT	X		X		X	
55	AM-6B	PNEUMATIC AIR MOTOR		X		X		X
59	04017410	PACKING SEAT		X		X		X
60	04017420	"V" PACKING FEMALE ADAPTOR		X		X		X
61	04017430	"V" PACKING		X		X		X
62	04017440	"V" PACKING MALE ADAPTOR		X		X		X
63	04017450	O-RING		X		X		X
64	04017460	AIR MOTOR SUPPORT		X		X		X
65	04017470	HEX. NUT		X		X		X
66	04017480	HEAD BOLT		X		X		X
67	04017490	QUICK COUPLING		X		X		X
68	04018100	AIR HOSE		X		X		X
69	04018110	SPEED CONTROLLER		X		X		X
70	04018120	ADAPTER		X		X		X
71	04018130	ADAPTER	X	X	X	X	X	X
72	04018140	SCREW	X	X	X	X	X	X
73	04018150	GROUND WIRE	X	X	X	X	X	X

PAINT PRESSURE TANK

PET-10 (max. 4.0 bar)

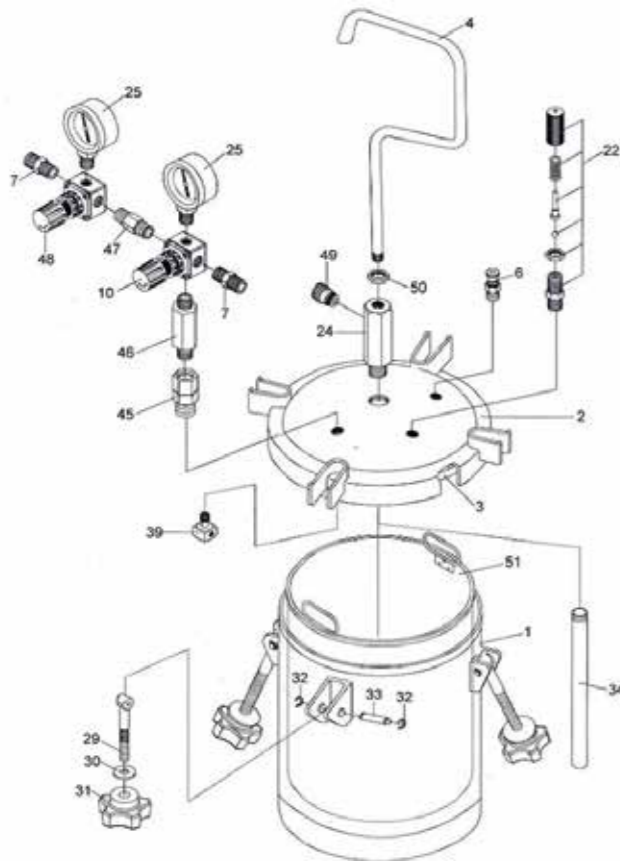
FEATURES

- Paint pressure tank with stainless steel inner tank for easy filling of the appropriate material and a trouble-free interior cleaning
- Robust construction
- Suitable for hydraulic products
- Carry handle for quick and easy transport
- Equipped with locking lid, 2 controllers, 2 pressure gauges and safety valve
- Conform to ATEX

Technical Data

• Max. operating pressure:	4.0 bar
• Tank capacity:	10 liter, inner tank 8.5 liter stainless steel
• Air inlet joint:	G 1/4" M
• Fluid output joint:	3/8" M
• Operating temperature:	5-40 °C
• Weight:	11 kg
• Dimensions:	310x310x565 mm

Inner Tank in STAINLESS STEEL



Order Information

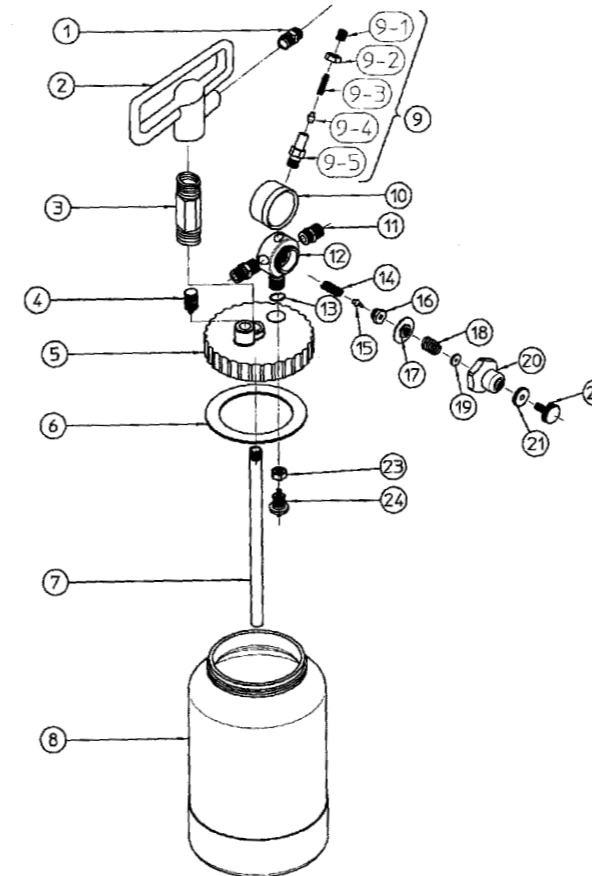
Ref.	Code	Description
	14972400	PET-10 PRESSURE TANK 10 lt.
2	94020010	LID ASSEMBLY
3	94020200	LID PACKING
4	94020020	HANDLE
6	94020030	EXHAUST VALVE
7	94020210	AIR INLET JOINT / OUTLET JOINT G1/4"
10	94008260	PRESSURE REGULATOR (FOR TANK)
22	94016390	SAFETY VALVE
24	94020040	FLUID OUTLET CONNECTING JOINT SUS 303
25	94016020	PRESSURE GAUGE
29	94020190	HANDLE BOLT
30	94020060	WASHER
31	94020070	THUMB NUT
32	94020220	C-SNAP RING
33	94020230	STUD
34	94020090	SUCTION PIPE SUS 303
39	94016310	AIR FLOW GUIDE
45	94020100	ADAPTER
46	94020110	ADAPTER
47	94020120	ADAPTER
48	94020130	PRESSURE REGULATOR (FOR GUN)
49	94020140	FLUID OUTLET JOINT SUS 303 3/8"
50	94020160	NUT
51	94020170	INNER TANK SUS 304

PRESSURIZED CONTAINER

PC-18 D (max. 3.5 bar)

FEATURES

- Small Paint Pressure Tank Aluminum 2 liters
- Max. operating pressure: 3.5 bar
- Operating temperature: 5-40 °C
- Fluid Nipple: G 3/8" (PF3/8)



Order Information

Ref.	Code	Description
	14018900	PC-18D PRESSURIZED CONTAINER
1	94056350	FLUID JOINT
2	94055350	HANDLE
3	94057350	HANDLE JOINT
4	94003350	AIR RELEASE VALVE
5	94053350	LID
6	94900210	LID PACKING (2 pcs./1 pk.)
7	94001350	SUCTION PIPE
8	94000351	CONTAINER SET
9	94007350	SAFETY VALVE
9-1	04012350	PLUG
9-2	04011350	NUT
9-3	04010350	SAFETY VALVE SPRING
9-4	04009350	SAFETY VALVE SPRING SEAT
9-5	04008350	SAFETY VALVE BODY
10	94048400	PRESSURE GAUGE
11	94027350	JOINT
12	94049350	AIR REGULATOR BODY SET
13	06631012	'O'RING
14	04016350	SPRING
15	04017350	REGULATOR SEAT
16	04018350	GUIDE
17	04019350	DIAPHRAGM SET
18	04023350	DIAPHRAGM SET SPRING
19	04038350	SPRING HOLDER
20	04024350	CAP
21	04025350	NUT
22	04026350	KNOB
23	94058350	NUT
24	94069350	VALVE

CUPS | FILTERS and ADAPTERS



CUPS - FILTERS and ADAPTERS

GRAVITY CUPS

Order Information

GRAVITY CUPS





			WS-400	LS-400	W-400 Series	W-300 WB	LPH-80	AZ3 HTE 2	AZ3 HTE -S Impact	AZ3 HTE P.A.S. Concept	AZ4 HTE-S Impact Junior	AZ40 HTE	RG-3L	AZ5
CENTRAL - 600 ml	PC-G600P-2													
		Code	Connection	Cpty.										
		14019100	G1/4" (PF1/4")	600 ml	●	●	●							
	PCG-6-PE													
		Code	Connection	Cpty.										
	14011001	M16 x 1.5 F	600 ml			●								
CENTRAL - 600 ml	PCG-6P-2-AZ													
		Code	Connection	Cpty.										
		WOCUPAZ90	G1/4" (PF1/4")	600 ml					●		●			
	PCG-6P-2B-AZ													
		Code	Connection	Cpty.										
	W0012820100	G1/4" (PF1/4")	600 ml					●				●		
CENTRAL - 600 ml	PCGP-6P-2B-AZ													
		Code	Connection	Cpty.										
		WOCUPAZ85	G1/4" (PF1/4")	600 ml							●			
	PCG-3P-1													
		Code	Connection	Cpty.										
	VPE250	G1/8" (PF1/8")	250 ml									●		
CENTRAL - 200 ml	PCG-2P-2													
		Code	Connection	Cpty.										
		WOCUPAZ40IN	G1/4" (PF1/4")	200 ml							●		●	
	PCG-2P-2B-AZ													
		Code	Connection	Cpty.										
	WOCUPAZ40	G1/4" (PF1/4")	200 ml									●		
SIDE - 200 ml	PC-52 AG													
		Code	Connection	Cpty.										
		14018186F	G1/4" (PF1/4")	200 ml										●

● standard cup | ● optional cup

GRAVITY Cups - Filters - Adapters

GRAVITY CUPS | BLACK GRAVITY CUPS

ALUMINIUM GRAVITY CUPS | FILTERS & ADAPTERS

Order Information				WS-400	LS-400	W-400 Series	W-300 WB	LPH-80	AZ3 HTE 2	AZ3 HTE -S Impact	AZ3 HTE P.A.S. Concept	AZ4 HTE-S Impact Junior	AZ40 HTE	RG3L - LPH 50	AZ5	
SIDE - 130 ml		PC 61														
		Code	Connection	Cpty.												
		14018190	G1/4" (PF1/4")	130 ml												
CENTRAL - 70 ml		PCG-1P-1														
		Code	Connection	Cpty.												
	13678980	G1/8" (PF1/8")	70 ml													
		PCG-1P-1B-AZ														
Code		Connection	Cpty.													
W0012320100		G1/8" (PF1/8")	70 ml													
	PCG-1P-2															
	Code	Connection	Cpty.													

NEW

● standard cup | ○ optional cup








BLACK GRAVITY CUPS for UV-cured Paint **NEW**






The **UV CUPS** are an addition to our standard line of cups. Thanks to their black color they help protecting UV-cured paints from unwanted exposition.


Order Information				WS-400	LS-400	W-400 Series	W-300 WB	LPH-80	AZ3 HTE 2	AZ3 HTE -S Impact	AZ3 HTE P.A.S. Concept	AZ4 HTE-S Impact Junior	AZ40 HTE	RG3L - LPH 50	AZ5	
CENTRAL - 600 ml		PCG-6P-M-S1														
		Code	Connection	Cpty.												
		13000330	G1/4" (PF1/4")	600 ml												
CENTRAL 70 ml		PCG-1P-1-S1														
		Code	Connection	Cpty.												
		13000230	G1/8" (PF1/8")	70 ml												
CENTRAL - 600 ml		UV BLACK CUP														
		Code	Connection	Cpty.												
		W0CUPAZ91	G1/4" (PF1/4")	600 ml												



Order Information				WS-400	LS-400	W-400 Series	W-300 WB	LPH-80			
Central 1000 ml		PCG10EM									
		Code	Connection	Cpty.							
		VAIU6034E	M16 x 1.5 F	1000 ml							
Central 700 ml		PCG7D-2									
		Code	Connection	Cpty.							
	VAIU6032D	G1/4" (PF1/4")	700 ml								
		PCG7EM									
Code		Connection	Cpty.								
VAIU6033E	M16 x 1.5 F	700 ml									
Central 400 ml		PCG4D-2									
		Code	Connection	Cpty.							
		VAIU6031D	G1/4" (PF1/4")	400 ml							
Central 150 ml		PCG2D-2									
		Code	Connection	Cpty.							
		VAIU6030D	G1/4" (PF1/4")	150 ml							
	PCG2B-1										
	Code	Connection	Cpty.								
VAIU6036D	G1/8" (PF1/8")	150 ml									
	PCG2D-1										
	Code	Connection	Cpty.								
VAIU6050	G1/8" (PF1/8")	70 ml									

FILTERS				WS-400	LS-400	W-400 Series	W-300 WB	AZ3 HTE 2	AZ3 HTE S Impact	AZ40 HTE
MODELS		Code	Description	Qty.						
		94011240	60 MESH (250µ)							
		03515500	60 MESH (250µ)							
		W2KIT06	60 MESH (250µ)	(5 pcs.)						

● standard cup | ○ optional cup

3M ADAPTERS				WS-400	LS-400	W-400 Series	W-300 WB	AZ4	LPH-80	AZ3 HTE 2	AZ3 HTE S Impact	
TYPES		Adapter	Code	Model								
			16036	TYP 6								
			16032	TYP 2								
			W2COM6067	TYP 43								
		16127	TYP 31									

DISPOSABLE GRAVITY CUP

MIX&SPRAY DISPOSABLE GRAVITY CUP



DISPOSABLE GRAVITY CUP 600ml + INNER LID + KNOB + FILTER

Code	Description	Qty.
04019321A	DISPOSABLE CUP 600 ml + INNER LID + KNOB + 1 FILTER (250µ)	100 pcs.
04019321B	DISPOSABLE CUP 600 ml + INNER LID + KNOB + 1 FILTER (125µ)	100 pcs.
04019321C	DISPOSABLE CUP 600 ml + INNER LID + KNOB + 1 FILTER (250µ + 125µ)	50 + 50 pcs.

DISPOSABLE KIT:

3 DISPOSABLE CUPS 600ml + CUP HOLDER + 2 FILTERS 250µ + 1 FILTER 125µ

Code	Description	
04019321KF	3 M&S CUPS 600 ml + 1 CUP HOLDER F + 2 FILTERS (250µ) + 1 FILTER (125µ)	W-400 Classic Series
04019321KM	3 M&S CUPS 600 ml + 1 CUP HOLDER M + 2 FILTERS (250µ) + 1 FILTER (125µ)	W-300 WB

CUP HOLDER KIT: 1 CUP HOLDER + 1 RING

Code	Description	
04025320	1 CUP HOLDER M16 x 1,5F + 1 RING	W-400 Classic Series
04020320	1 CUP HOLDER G1/4" M + 1 RING	W-300 WB



ACCESSORIES

Code	Description	Qty.
04031320	Paint Filter 60 Mesh (250µ) Red	
04030320	Paint Filter set 60 Mesh (250µ) Red	50 pcs.
04033320	Paint Filter 120 Mesh (125µ) White	
04032320	Paint Filter set 120 Mesh (125µ) White	50 pcs.
W2KIT21	Plug Set (Inner Plug)	50 pcs.
W2KIT34	Plug Set2 (Outer Plug)	50 pcs.
W2KIT26	Screen Filter Set 120 Mesh (125µ)	5 pcs.
W2KIT29	Screen Filter Set 120 Mesh (125µ)	100 pcs.
04023320	Cleaning Kit (Wash bottle set)	20 pcs.
W2COM5017	Adapting Nipple (Sata)	*All trademarks are the exclusive property the Company's bailee
W2COM5018K	Adapting Nipple (DeVilbiss)	

HIGH T.E.C. UNDER GUN FILTERS

for PRESSURE SPRAY GUNS



FEATURES

The High T.E.C. filter consists of a filter housing, in order to couple the filter between the gun and the fluid hose. It is available in 3 filtrations. It has a large filtration surface and can be used with hydro-soluble products.

Order Information

Code	Description	Connection
FILTER HOUSING: in Derlin material for solvent and water based paint		
3838	HIGH T.E.C. FILTER HOUSING	F 3/8" - M 3/8"
1414	HIGH T.E.C. FILTER HOUSING	F 1/4" - M 1/4"
FILTER: in Polyamide (PA) plain weave PLASTIC BODY: in Polypropylene (PP)		
18110960	FILTER	GREEN 60 Micron
18110961	FILTER	WHITE 275 Micron
18110962	FILTER	BLUE 100 Micron
18110963	FILTER	YELLOW 160 Micron
18110964	FILTER	RED 10 Micron
18110965	FILTER	ORANGE 30 Micron

FILTER-HOUSING

FILTERS

GENERAL ACCESSORIES



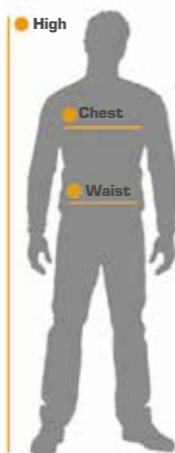
ANEST IWATA OVERALL

Premium Quality



FEATURES

Anest Iwata Overall is made of lint-free polyester fabric, yarn filaments are woven from carbon to discharge potential static. The fabric conforms to EN 1149-1 (antistatic). For your safety, the overall is flame retardant and the tissue complies with the EN ISO 14116: 2008 Index 1 (formerly EN 533).



Overall's **SIZE CHART**

SIZE	S	M	L	XL
EU	46	48	50	52-54
HIGH	170-174 cm	174-178 cm	178-182 cm	182-190 cm
CHEST	86-94 cm	94-102 cm	102-110 cm	110-118 cm
WAIST	70-78 cm	78-86 cm	86-94 cm	94-102 cm

- Bicolored Overall in two different grey tone: dark & light
- Dirt and water repellent
- Long front zipper with double slider
- Underarm aeration net
- Waist with adjustable elastic band
- Neck straight closed by snaps
- Detachable hood and top size adjustment
- Back hose holder
- Lint-free microfiber cuffs
- Reinforced seams by bound seam system
- 1 chest pocket
- 2 side pockets
- 1 back flap pocket closed by snaps
- Available sizes : S-M-L-XL



Order Information

Code	Description	Size
W2COM6336	OVERALL ANEST IWATA	S
W2COM6337	OVERALL ANEST IWATA	M
W2COM6338	OVERALL ANEST IWATA	L
W2COM6339	OVERALL ANEST IWATA	XL



GOGGLES & GLASSES VISIONSHIELD Series



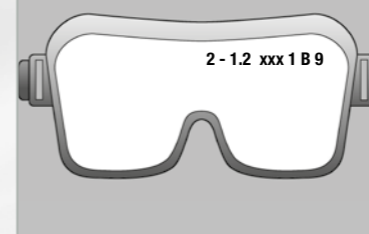
VISIONSHIELD Goggles

FEATURES

OVER-GLASSES PROTECTIVE GOGGLES

- Polycarbonate lens, offers protection from medium energy hi-speed particles, the frame offers protection against large dust particles and liquid droplets.
- Soft rubber frame provides comfort for longtime.

Conforms to EN166:2001



Lens Marking: 2 - 1.2 xxx 1 B 9	
2	Radiation protection: (2 = UV filter)
1.2	Gradation: (1.2 = Transparent)
xxx	Identification of the producer: (brand)
1	Optical class: (1 = Continuous use)
B	Mechanical resistance: (B = Medium energy impact)
9	Additional requirements: (9 = Resistance to splashes of molten metals and penetration of hot solids)

Order Information

Code	Description
AGN020-441-3P0	VISIONSHIELD GOGGLES

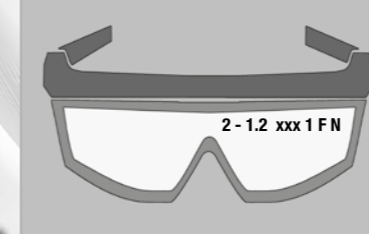
VISIONSHIELD Glasses

FEATURES

SAFETY WRAPAROUND GLASSES

- Moulded with soft rubber to increase grip and provide excellent comfort levels.
- Polycarbonate lenses and frame ensure protection against low energy hi-speed particles.
- Adjustable nose piece: the soft nose bridge is adjustable and provides high grip fitting that prevents slippage.

Conforms to EN166:2001



Lens Marking: 2 - 1.2 xxx 1 F N	
2	Radiation protection: (2 = UV filter)
1.2	Gradation: (1.2 = Transparent)
xxx	Identification of the producer: (brand)
1	Optical class: (1 = Continuous use)
F	Mechanical resistance: (F = Low energy impact)
N	Additional requirements: (N = Fogging resistance)

Order Information

Code	Description
ASA770-15K-4P0	VISIONSHIELD GLASSES



HEALTH Protection

VIPER HALF FACE GUARD MASK



HALF MASK with INTERCHANGEABLE COMBINED FILTERS

FEATURES

The spectrum of action of harmful substances is large, then it is necessary identify with great precision the specific risks present in each workplace. The half mask respirators have 2 different ranges of filters that offer effective protection against dust, gases and vapors. Only wearing protective masks and their correct use can ensure an effective protection of the health against toxic substances.

- Full unobstructed field of vision
- Quick bayonet fittings
- Secure fit during use
- Large filter surfaces
- Filter in 2 versions:
 - A2P3R filter for high protection
 - AB1P2R filter for standard protection
- Built-in inhalation valves in the filter
- Low inhalation resistance



A2P3R HIGH PROTECTION Combined Filters

- Medium Capacity Organic Gas/Vapours Filter (hydrocarbons and solvents) EN14387:2004
- High Efficiency Particles Filter EN143:2000 + A1:2006

Filter Marking: A2P3R	
A2	(A = organic gas/vapours, bp >65°C) (2 = medium capacity)
P3R	(P = particulate filter) (3 = high capacity) (R= reusable)



AB1P2R STANDARD PROTECTION Combined Filters

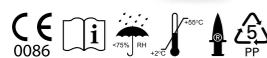
- Low Capacity Inorganic Gas/Vapours Filter (hydrocarbons and solvents) EN14387:2004
- Medium Efficiency Particles Filter EN143:2000 + A1:2006

Filter Marking: AB1P2R	
AB1	(AB = inorganic gas/vapours, bp >65°C) (1 = low capacity)
P2R	(P = particulate filter) (2 = medium capacity) (R= reusable)



Order Information

Code	Description	Qty.
VMVIPER123	VIPER GUARD MASK (A2P3R Half Face Mask)	
VMVIPER124	VIPER GUARD MASK (AB1P2R Half Face Mask)	
VIUGVM123	A2P3R FILTER SET	(2 pcs.)
VIUGVM510	AB1P2R FILTER SET	(2 pcs.)
G-VGM002KIT	P2R PRE-FILTER SET	(4 pre-filters/ 2 holders)



AIRFED 2010 FULL FACE MASK



Chin Guard



Diffuser



Nape Cover



Vizor Peel



Hygiene Kit



Regulator



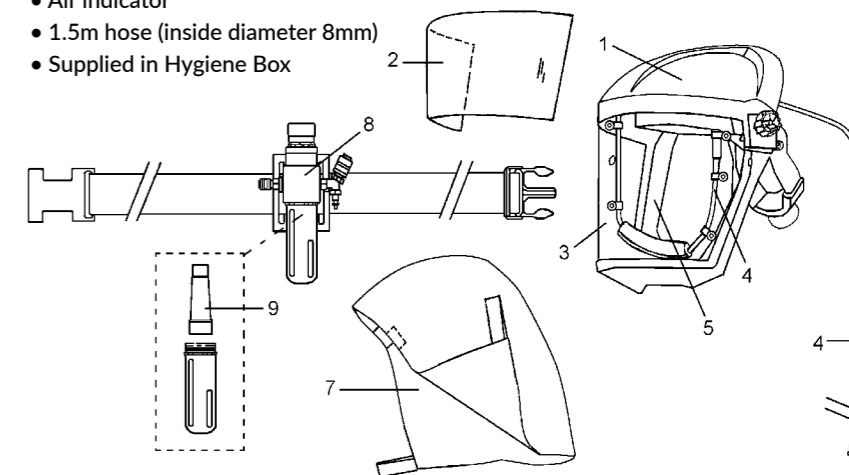
FEATURES

One of the biggest risks to the health of the human body is the inhalation of dust, paint mists, gases, vapors or other contaminants, which can be greatly hazardous to our health, even in small quantities. For this reason, it is of extreme importance to use masks to protect against respiratory aggressions that you can undergo during job in a saturated environment of toxic substances.

Anest Iwata offers excellent protections to always ensure your safety in all kind of environments.

AIRFED 2010 Full Face Mask is functional and stylish. Suitable for use with previously filtered compressed air.

- Very good all-round visibility with large visor
- Head protection and comfort headband
- Visor with quick-change protection film
- Individually adjustable belt
- Easily adjustable width adjustment
- Adjustable fresh air regulator
- Activated carbon filter
- Air indicator
- 1.5m hose (inside diameter 8mm)
- Supplied in Hygiene Box



VISOR EN166:2001

Lens Marking: 1F3	
1	Optical class: (1 = Continuous use)
F	Mechanical resistance: (F = Low energy impact)
3	Specific use (risk types): (3 = Resistance to chemical splashes)

HOSE/AIRLINE BREATHING APPARATUS EN14594:2005

Marking: LDH-3	
LDH	Light, duty compressed air line helmet.
3	Class of performance (inward leakage): (3 = maximum 0.5%)
NOTE: Compressed Air Breathing Quality, must to be Conforms to EN12021:2014	

Order Information

Code	Description	Ref.	Qty.
VIUAF2010KIT	AIRFED 2010 FULL FACE MASK KIT		
VIUAF2010HEAD	HEADPIECE AND HARNESS ONLY	1	
VIUAF2112K10	VIZOR PEEL OFF COVERS	2	10 pcs.
VIUAF2010CHIN	CHIN GUARD AND FACESCREEN ONLY	3	
VIUAF2010DIFF	DIFFUSER ASSEMBLY	4	
VIUAF2101K5	HYGIENE KIT (FACE SEAL AND SWEATBAND)	5	5 pcs.
VIUAF2103K5	NAPE COVERS	7	5 pcs.
VIUAF2107	REGULATOR (NO BRACKET)	8	
VIUAF2006	ACTIVE CARBON FILTER	9	



CLEANING and
MAINTENANCE



AIR QUALITY



PCA12.0 & HCA12.0 CLEANING APPLICATORS

Premium Quality
PCA12.0
PREMIUM QUALITY Cleaning Applicator



with Super Seal BMS 210

High Quality
HCA12.0
HIGH QUALITY Cleaning Applicator



with Viton Seal FPM

FEATURES

- High quality, robust pump spray bottle for quick cleaning of spray guns
- Special, adjustable nozzle \varnothing 0.8 mm (nickel-plated brass)
- Powerful piston pump (nickel-plated brass) for an operating pressure up to 12.0 bar.
- 1 liter capacity with large opening.
- Level indicator and measurement scale.
- Perfect stability.
- Ergonomically shaped handle for easy operation.
- PCA12.0 with solvent-resistant specialty gaskets (BMS 2010 black) for use with aggressive cleaners, resistant to all common solvents.
- HCA12.0 with chemically resistant Viton seals (FKM (Viton) green) for use with mild cleaners, to 95% for cleaning of basecoat.

AGGRESSIVE Cleaners

Order Information

Code	Description
W2COM6226	SPRAY GUN CLEANING PCA 12.0 Premium Quality (Super Seal BMS 210)

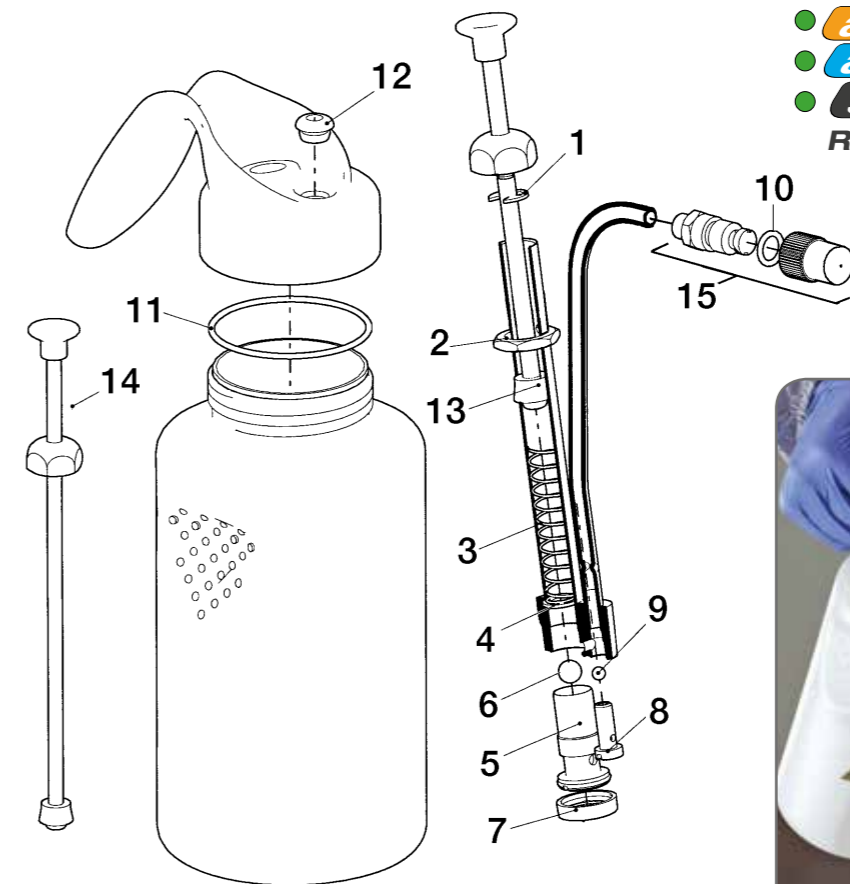
Models	PCA12.0	HCA12.0
Chemical Resistance	Especially suitable for mineral oil respectively petroleum based products, which contain also Acetone (or similar solvents) and/ or Alcohol.	Suitable for mineral oil based products, solvents, separating agents, wax products, emulsions and higher viscosity products. Not suitable for products containing acetone.
Tank material	PE transparent white	
Gaskets	Special Gaskets BMS 210	Viton FPM
Pump	Nickel plated brass	
Type of nozzle	Nickel plated brass adjustable nozzle \varnothing 0.8 mm	
Weight (empty)	310 g	
Tank capacity	1 lt.	
Dimensions	H250 mm, \varnothing 120 mm	
Max. operating pressure	12 bar	
Temperature range	from 5° to 50° C	

MILD Cleaners

Order Information

Code	Description
W2COM6225	SPRAY GUN CLEANING HCA12.0 High Quality (Viton Seal FPM)

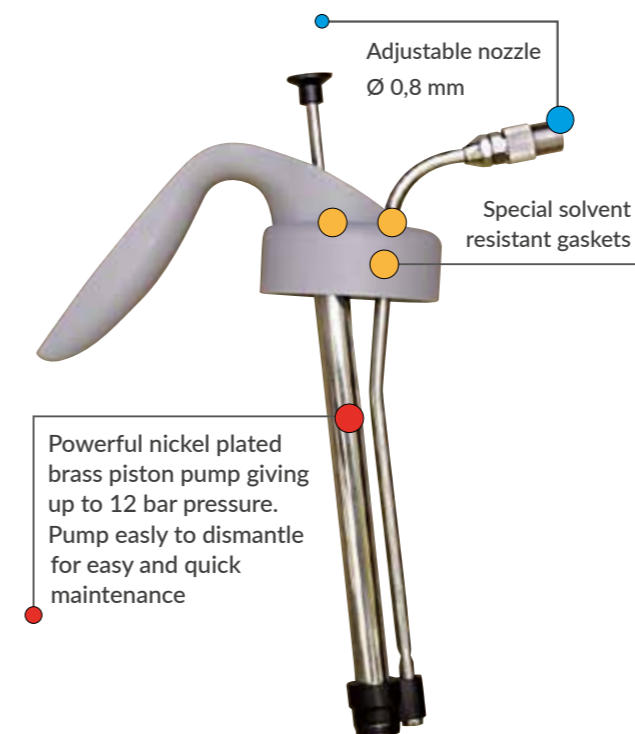
PCA12.0 & HCA12.0 CLEANING APPLICATORS



- acids
 - alkalis
 - solvents
- Resistant



Spare Parts

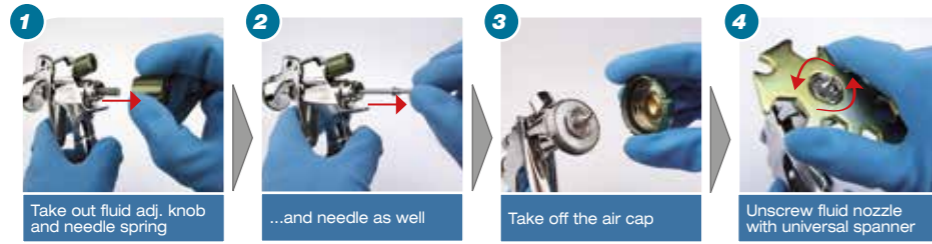


Code	Description	Ref.
W2KIT70	MAINTENANCE KIT	
	PROTECTION WASHER	1
	NUT	2
	PRESSURE SPRING	3
	WASHER	4
	SUCTION VALVE	5
	BALL 7/32"	6
	SUCTION FILTER CPL.	7
	PRESSURE VALVE	8
	BALL 1/8"	9
W2KIT71	PACKING SET - HCA (FPM - GREEN)	
	O-RING 7,66x1,78	10
	GASKET 57.5x53x2 PE	11
	PRESSURE TUBE JOINT	12
	SLEEVE	13
W2KIT72	PACKING SET - PCA (BMS 210 - BLACK)	
	O-RING 7,66x1,78	10
	GASKET 57.5x53x2 PE	11
	PRESSURE TUBE JOINT	12
	SLEEVE	13
W2KIT73	PISTON SET	14
W2KIT74	ADJUSTABLE NOZZLE SET \varnothing 0.8 mm	15

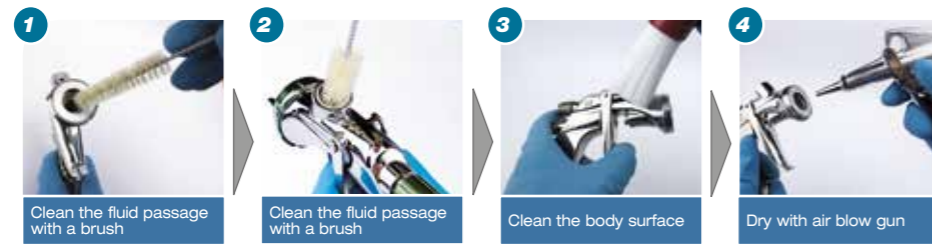


CLEANING & MAINTENANCE TIPS

CLEANING of ATOMIZING PARTS



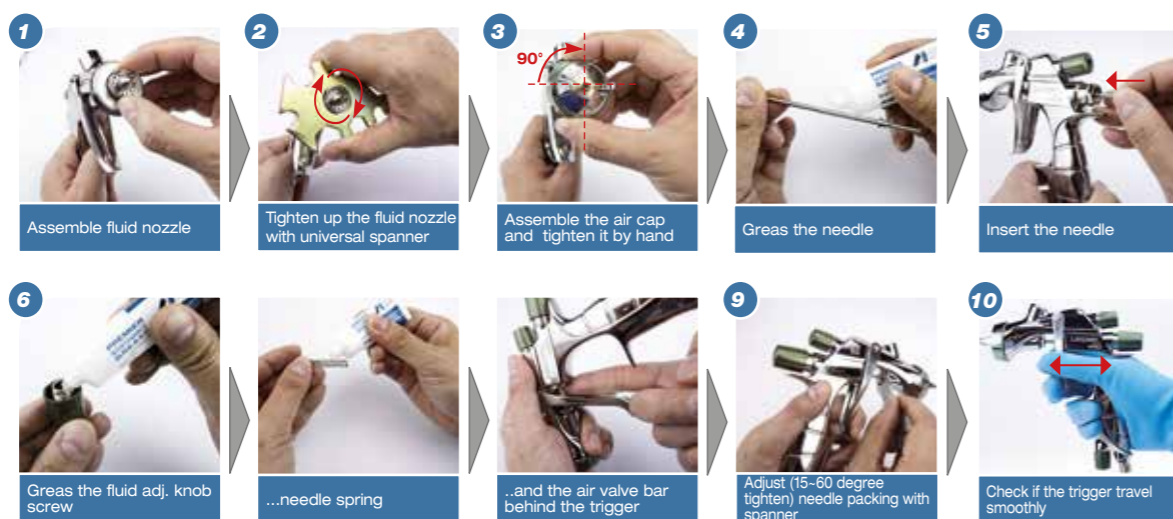
CLEANING & DRYING of ATOMIZING PARTS



CLEANING of ATOMIZING PARTS



ASSEMBLING and MAINTENANCE



DISASSEMBLING AND CLEANING

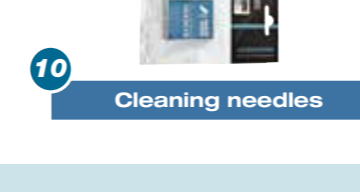
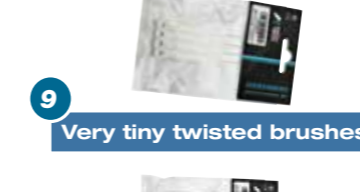
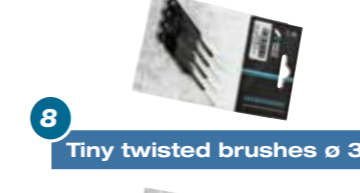
ASSEMBLING

CLEANING & MAINTENANCE TOOLS



The Kit W2KIT55SV includes:

2 Big Surface Brushes - 1 Flat Brush - 1 Big Twisted Brush - 3 Twisted Brushes (1x Ø 10 mm - 1x Ø 5 mm - 1x Ø 3 mm) 1 Tiny Twisted Brush - 12 Cleaning Needles Premier Maintenance Grease.



Order Information

Ref.	Code	Description	Qty.
1	W2KIT55SV	SPRAY GUN MAINTENANCE TOOL KIT	
2	W2COM6124	FLAT BRUSHES	(5 pcs./1pk.)
3	W2COM6163	BRUSHES	(5 pcs./1pk.)
4	W2COM6125	BIG SURFACE BRUSHES	(3 pcs./1pk.)
5	W2COM6126	BIG TWISTED BRUSHES Ø 15 mm	(5 pcs./1pk.)
6	W2COM6162	TWISTED BRUSHES Ø 10 mm	(5 pcs./1pk.)
7	W2COM6161	TWISTED BRUSHES Ø 5 mm	(5 pcs./1pk.)
8	W2COM6127	TINY TWISTED BRUSHES Ø 3 mm	(4 pcs./1pk.)
9	W2COM6128	VERY TINY TWISTED BRUSHES	(4 pcs./1pk.)
10	W2COM6164	CLEANING NEEDLES	(12 pcs./1pk.)
11	93505910	UNIVERSAL SPANNER	
12	W2COM6129	SPANNER FOR LOCK ADJ. & NEEDLE PACKING	
13	03506480K	ALLEN WRENCH for Supernova series	(3 pcs./1pk.)
14	93280881	SPANNER for LPH-80/RG-3L	
15	W2COM6165	PREMIER MAINTENANCE GREASE (20 ml)	
16	13908061	AG-6 AIR DUSTER GUN	

The bristles of all brushes are resistant to solvents and paint thinner and they are ideal to clean all types of spray guns.



CLEANING Maintenance

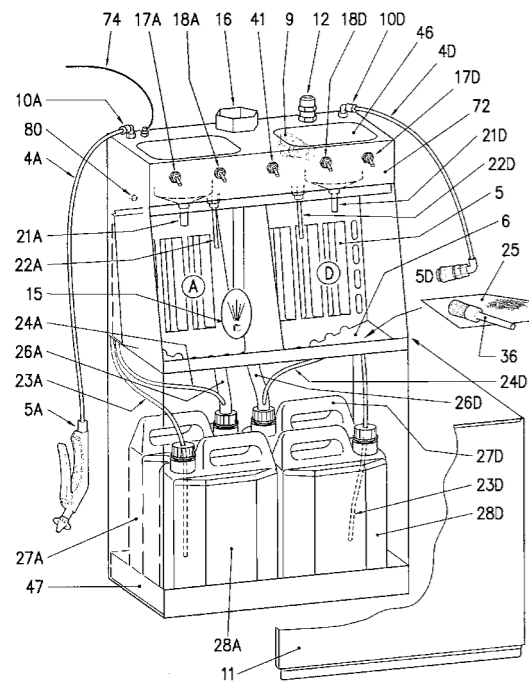


KUIK MINI GUN WASHER

MANUAL WASHING

KUIK

ANEST IWATA



**Detergent
AQUA revive**

About 0,5 to 1,5 lt. per 10 lt. of water

FEATURES

KUIK is a small, compact and unique Water and Solvent Gun Washer Machine possible to be used inside or outside spray booth and easy to be transported.

The Gun Washer has separate nozzle for cleanings inside the paint channel or outside the body with clean and dirty water and Solvent, so it is possible to pre-clean with dirty water or solvent and to do the final wash with clean water or solvent. The Gun Washer has an aspiration system to avoid residual gasses remain intrapped.

An air blow gun is included to dry the gun.

TECHNICAL

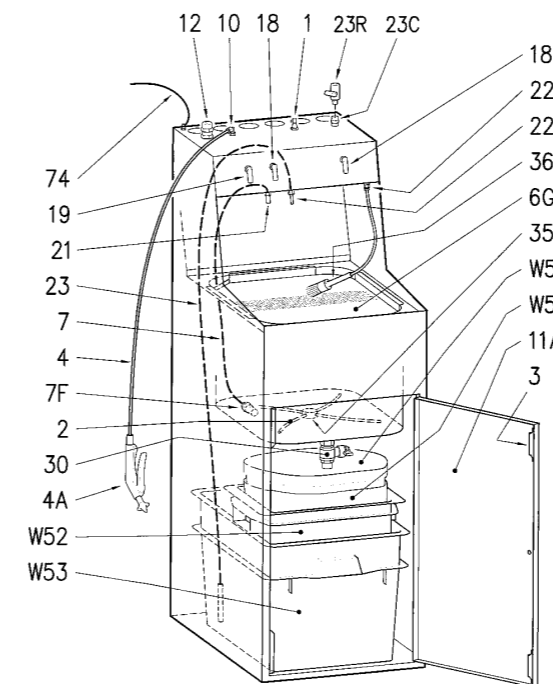
Operating pressure: 8 bar
 Tank Capacity: 5 lt.
 Dimensions: 450x250x840 mm
 Mass: 15 kg

Order Information

Code	Description	Ref.
IWK-KUIK	KUIK MINI GUN WASHER MANUAL	
10200135-4A	BLOWING GUN SUPPLY AIR HOSE + JOINT	4A
10200135-4D	LOW PRESSURE SUPPLY AIR HOSE (FOR SPRAY GUN) + JOINT	4D
10200135-5A	BLOWING GUN + JOINT	5A
10200135-5D	QUICK JOINT GUN CONNECTION	5D
10200135-9	INNER PRESSURE REGULATOR	9
10200135-11	LOWER DOOR	11
10200135-12	AIR INLET FITTING WITH FILTER	12
10200135-15	VAPOUR SUCTION NOZZLE	15
10200135-17A	CONTROL VENTURI PUMP SWITCH (DIRTY WATER)	17A
10200135-17D	CONTROL VENTURI PUMP SWITCH (DIRTY SOLVENT)	17D
10200135-18A	CONTROL ATOMIZER SWITCH (CLEAN WATER)	18A
10200135-18D	CONTROL ATOMIZER SWITCH (CLEAN SOLVENT)	18D
10200135-21A	VENTURI PUMP (DIRTY WATER AND DETERGENT)	21A
10200135-21D	VENTURI PUMP (DIRTY SOLVENT)	21D
10200135-22A	NEBULIZER (CLEAN WATER AND DETERGENT)	22A
10200135-22D	NEBULIZER (CLEAN SOLVENT)	22D
10200135-23A	NEBULIZER SUPPLY HOSE ZONE A	23A
10200135-23D	NEBULIZER SUPPLY HOSE ZONE D	23D
10200135-24A	VENTURI PUMP SUPPLY HOSE ZONE A	24A
10200135-24D	VENTURI PUMP SUPPLY HOSE ZONE D	24D
10200135-25	WORKTOP GRILLE	25
10200135-26A	DRAIN HOSE ZONE A	26A
10200135-26D	DRAIN HOSE ZONE D	26D
10200135-27A	TANK OF DIRTY WATER AND DETERGENT	27A
10200135-27D	TANK OF DIRTY SOLVENT	27D
10200135-28A	TANK OF CLEAN WATER AND DETERGENT	28A
10200135-28D	TANK OF CLEAN SOLVENT	28D
10200135-36	WASHING BRUSH	36
10200135-41	CONTROL SWITCH VAPOURS SUCTION	41
10200135-72	CONTROL PANEL LABEL	72
1020H2HRE5	AQUAREVIVE DETERGENT 5 lt.	

IWK-H2O GUN WASHER

MANUAL WASHING



**Detergent
AQUA revive**

About 0,5 to 1,5 lt. per 10 lt. of water

FEATURES

IWK H2O FOR WATER BASED PAINT ONLY:

A small and cost-effective pneumatically operated machine for manually washing water-based paint from spray guns and small objects. The instruments, located on the front section, make it easy to use. The spray-washer is fitted with a small pump and sprayer which draws clean water from a container located at the bottom of the machine and a second sprayer for final washing which is connected to the company's water supply. A blowing gun then cleans and dries the guns and washed pieces.

SEPARATING THE PAINT FROM THE WATER:

The stainless steel washing tank has an internal system that mixes the dirty water with flocculating powder. The water and coagulated colour deposit are then discharged by a valve in the filter bag kit, where solid particles are separated from the water particles. The filtered water can be re-used for washing.

TECHNICAL

Operating pressure: 6-10 bar
 Tank Capacity: 50 lt. (Stainless Steel)
 Tank Capacity: 70 lt. (lower tank)
 Dimensions: 450x660x1335 mm
 Mass: 44 kg

Order Information

Code	Description	Ref.
10200081	IWK H2O SPRAY GUN WASHER MANUAL	
1020IWKH21	FLOW REGULATOR	1
1020IWKH23	DOOR MAGNET	3
1020IWKH24	AIR FEED HOSE	4
1020IWKH24A	BLOWING GUN	4A
1020IWKH26G	GRILLE	6C
1020IWKH224	PUMP SUPPLY HOSE	7
1020IWKH2H7F	PUMP SUPPLY FILTER	7F
1020IWKH211A	LOWER DOOR	11A
1020IWKH212	AIR INLET FITTING WITH FILTER	12
1020IWKH218K	CONTROL PANEL KIT WITH LEVER	18
1020IWKH218C	CONTROL VALVE KIT WITH LEVER	18C
1020IWKH218CL	ONLY CONTROL LEVER	18CL
1020IWKH221	PUMP	21
1020IWKH222	NEBULISER	22
1020IWKH222C	SPRAY NOZZLE	22C
1020IWKH223	NEBULISER SUPPLY HOSE	23
1020S3723R	WATER FLOW CONTROL VALVE	23R
1020IWKH230	DRAIN VALVE	30
1020IWKH235	AIR DIFFUSER	35
1020IWKH36	WASHING BRUSH	36
1020IWKH237	CONNECTION HOSE FOR WASHING BRUSH	37
1020IWKH2W50B	BAG PRE-FILTERS KIT (5 pcs./1pk.)	W50
1020IWKH2W51B	BAG FILTER	W51
1020IWKH2W52	CONTAINER (FILTERING +DECANTATION)	W52
1020IWKH2W53	CONTAINER (for REGENERATED WATER)	W53
1020S37T	SPRAY GUN NOZZLE	T
1020H2HRE5	AQUAREVIVE DETERGENT 5 lt.	



MANUAL & AUTOMATIC GUN WASHERS

MANUAL and AUTOMATIC WASHING



INOX LINE SOL (SLD)

FEATURES

- Stainless Steel Electroclean Body and Tank
- Automatic wash with clean solvent rinse
- Test booth and Venturi exhaust system
- Drying gun
- Possible to connect with a Distiller

Mass: 63 kg
 Operating pressure: 6~10 bar
 Dimensions: 600x700x1490 mm
 Each single tank cpty: 25 lt.
 No of guns washed per cycle: 2



Order Information

Code	Description
1020S32	INOX LINE SLD MANUAL & AUTOMATIC GUN WASHER

INOX LINE SOL (ILD)

GUN WASHER AND DISTILLER

FEATURES

- Totally pneumatic
- Safety valve stops washer if wash chamber lid is opened during operation
- Stainless Steel Electroclean Body and Tank
- Automatic wash with clean solvent rinse
- Test booth and Venturi exhaust system
- Drying gun

Mass: 180 kg
 Operating Temperature: 180 to 220°C
 Dimensions: 730x1270x1390 mm
 Cpty: 12 lt.
 Cycle time: 3 ÷ 4.30 hrs
 Protection level: EEX od IIB
 Temperature level: T2
 Power rating: 1,04 Kw



Order Information

Code	Description
1020S322	INOX LINE GUN WASHER SLD with DISTILLER ILD

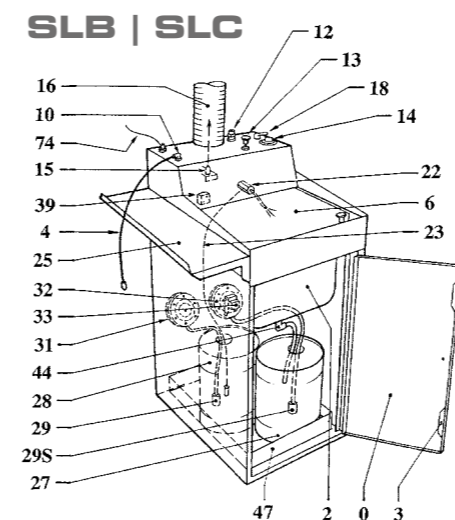
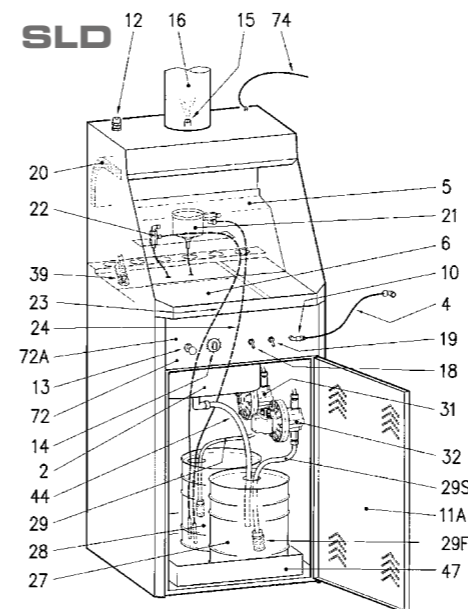
INOX LINE SOL-B | SOL-C

Mass: 42 kg
 Operating pressure: 6~10 bar
 Dimensions: 660x450x1100 mm
 Each single tank cpty: 25 lt.

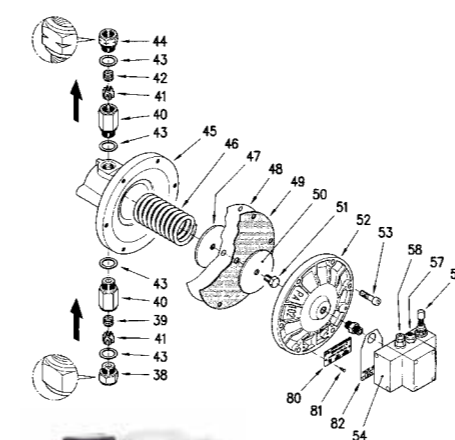


Order Information

Code	Description
10200125	IWK SLB GUN WASHER without AUTOMATIC FINAL CLEANING
10200120	IWK SLC GUN WASHER with AUTOMATIC FINAL CLEANING



Pump PA



Detergent AQUA revive
 About 0,5 to 1,5 lt per 10 lt. of water

Code	Description	Ref.	SLB/C	SLD
1020S32189	FILTER CARTRIDGE ACTIVE CARBON			
1020S0L0	LOWER DOOR	0	X	
1020S0L3	DOOR MAGNET	3	X	
1020S324	AIR FEED HOSE	4		X
1020S0L4	AIR FEED HOSE	4	X	
1020S325	VAPOUR AND AIR CONVEYOR	5		X
1020S3211A	LOWER DOOR	11A		X
1020S3212	AIR INLET FITTING WITH FILTER	12		X
1020S0L12	AIR INLET FITTING WITH FILTER	12	X	
1020S3213	PUSH-BUTTON	13		X
10200219	PUSH-BUTTON	13	X	
1020S3214	TIMER	14		X
1020S0L14	TIMER	14	X	
1020S3215	VAPOUR SUCTION NOZZLE	15		X
1020S0L15	VAPOUR SUCTION NOZZLE	15	X	
1020S3216	VAPOUR EXHAUST PIPE	16		X
1020S0L16	VAPOUR EXHAUST PIPE	16	X	
1020S3218	ATOMIZER CONTROL VALVE	18		X
1020S0L18BK	ATOMIZER CONTROL VALVE	18	X	
1020S0L18L	LEVER	18	X	
1020S3219	CONTROL VALVE PUMP	19		X
1020S3220	DRY FILTER	20		X
1020S3721	PUMP	21		X
1020S3722	NEBULIZER	22	X	X
1020S3223	NEBULIZER SUPPLY HOSE	23		X
1020S0L23	NEBULIZER SUPPLY HOSE	23	X	
1020S3224	PUMP SUPPLY HOSE	24		X
1020S0L25	WORK SURFACE	25	X	
1020S3229	HOSE (CLEAN SOLVENT)	29		X
1020S0L29	HOSE (CLEAN SOLVENT)	29	X	
1020S0L29D	FILTER(CLEAN SOLVENT)	29D		X
1020S0L29F	FILTER (USED DETERGENT)	29F		X
1020S3229F	FILTER (USED DETERGENT)	29F		X
1020S3229S	HOSE (USED DETERGENT)	29S		X
1020S0L29S	HOSE (USED DETERGENT)	29S	X	
1020S0L29F2	HOSE	29S	X	
1020S3231	CLEAN DETERGENT PUMP	31		X
1020S0L31	CLEAN SOLVENT PUMP	31	X	
1020S3232	USED DETERGENT PUMP	32		X
1020S0L32	AUTOMATIC WASHER PUMP	32	X	
1020PA38K	COMPLETE INLET VALVE KIT	38-38A-39-40-41-43	X	X
1020S3239	SAFETY VALVE	39		X
1020S0L39	SAFETY VALVE	39	X	
1020PA44K	COMPLETE OUTLET VALVE KIT	40-41-42-43-44	X	X
1020S3244	DRAIN HOSE	44		X
1020S0L44	DRAIN HOSE	44	X	
1020S3247	COLLECTING TANK	47		X
1020S0L47	COLLECTING TANK	47	X	
1020PA48K	COMPLETE DIAPHRAGM KIT	47-48-49-50-51	X	X
1020PA54K	PNEUMATIC VALVE COMPLETE	54-56-57-58	X	X
1020S3272	CONTROL PANEL ADHESIVE	72		X
1020S3274	EARTH WIRE	74		X
1020S0LD	DRILLED SCREW	D	X	
1020S0LF	CUP SUPPORT	F	X	
1020S32H	WASHING SUPPORT	H		X
1020S0LH	WASHING SUPPORT	H	X	
1020S0LL1	INTERNAL SPRAYER	L/L1	X	
1020S32M	ALUMINIUM HOSE KIT	M		X
1020S0LM	BRASS HOSE KIT	M	X	
1020S32M1	CAPSTAN SCREW	M1		X
1020S32M2	CROSSPIECE JOINT	M2		X
1020S0LN	PROTECTION PLUG	N	X	
1020PA46	STAINLESS STEEL SPRING	PA46	X	X
1020PA57	DISCHARGE SILENCER	PA57	X	X
1020PA58	AIR INLET FITTING	PA58	X	X
1020S32PQ	SPECIAL CLAMP	PQ		X
1020S0LPQ	SPECIAL CLAMP	PQ	X	
1020S32R	NET KNOB IN ALUMINIUM	R		X
1020S32T	NOZZLE	T		X
1020S0LT	NOZZLE	T	X	
1020S32U	ALUMINIUM NET	U		X
1020S32V	SPRAY NOZZLE	V		X
1020S32Z	INTERNAL SPRAY NOZZLE	Z		X
1020S0LZ	JET FOR SUCTION GUNS	Z	X	
1020H2HRE5	AQUAREVIVE DETERGENT 5 lt.			



MAGNETIC SUPPORTS & GUN HOLDERS

MAGNETIC SPRAY TESTER



MAG STAND MAGNETIC SUPPORT

FEATURES

- Practical for every bodyshop, fast, flexible and reliable adhesion on all metal surfaces thanks to an extra-strong all-surface magnet.
- Hold up to 20 kg (each holder, measured on a clean metal surface).
- No cumbersome, wall mount without screws and drilling.
- Easy removal from spray booth.
- Prevent potential accidents.
- Significant space savings in working area.

Order Information

Code	Description	Ref.
W2COM6052	MAGNETIC SPRAY GUN HOLDER (for 3 Spray Guns)	1
W2COM6120	MAGNETIC SPRAY GUN HOLDER (1 Single Spray Gun)	2
W2COM6093	MAGNETIC ADAPTOR HOLDER (for PPS-RPS Adaptors)	3
W2COM6094	MAGNETIC AIR HOSE HOLDER (Max. Hose length 20mt.)	4



GRAVITY GUN HOLDERS

FEATURES

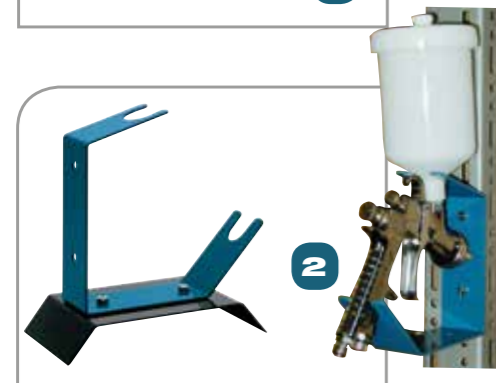
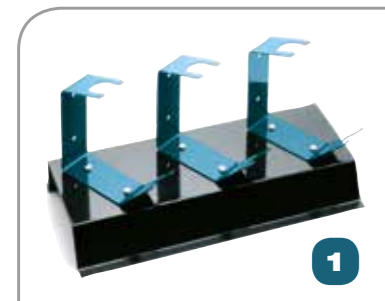
Suitable to hold Gravity Guns after use or during the filling of the cup.

Available in 3 versions with base:

- Single Central Gravity (wall mountable)
- Multiple Central Gravity (3 places)
- Single Side Gravity.

Order Information

Code	Description	Ref.
W2501000500	CENTRAL GRAVITY GUN HOLDER (3 SPRAY GUNS)	1
W2501000100	CENTRAL GRAVITY GUN HOLDER (1 SPRAY GUN) WALL MOUNTABLE	2
W2501000600	SIDE GRAVITY GUN HOLDER (Single)	3



FEATURES

Not always reflect the quality of the spray pattern of the required reference spray pattern template. Many parameters can negatively influence the quality of the spray pattern. Variations in the quality of the spray pattern seen early and take appropriate action to remedy the quality deviations.

Test the spray pattern with the portable magnetic Anest Iwata spray pattern tester and compare regularly compliant tabulated and efficiently the quality of the spray images.

- Portable spray pattern tester for regular monitoring of the spray pattern quality
- Fast, flexible and reliable adhesion of the spray pattern tester on all metallic surfaces thanks to an extra-strong full-surface magnet.
- Adhere easy: no complicated wall mounting, no drilling, no screws.
- Height of the spray pattern tester fast and customizable to each user.
- Spray pattern tester lid opens downward for more freedom in the spray pattern test
- Spray pattern tester lid also adheres to all metal surfaces thanks to a further integrated magnet.
- Perfect horizontal alignment by an integrated vial in the spray ruler.
- Dimensions: 46 cm (B) x 75 cm (H) x 5 cm (T)



HOW TO USE



MAGNETIC SPRAY TESTER

Order Information

Code	Description
W2COM6118EN	MAGNETIC SPRAY TESTER (COMPLETE SET)
W2KIT51	PAPER BLOCKS (2 Blocks of 30 Sheets)
W2COM6151	LEVEL VIAL
W2COM6153	SPRAY RULER

CLEANING Maintenance



AIR FILTER REGULATORS 1/2"

SINGLE-STAGE

1/2" Single-Stage



FEATURES

- 1 Inlet ball valve 1/2"F (allows removal of filter cartridge without stop compressor operation).
- 1 Filter Regulator: from 0 to 8.5 bar.
- Filtration rating 5µ.
- 1 Pressure Gauge: from 0 to 10 bar.
- 1 Semi-automatic drain valve (to prevent decompression during application).
- 2 Outlet ball valves 1/4"M, with stop valve.
- 1 Wall bracket with 2 mounting holes.
- Filter body and bowl treated with anti-corrosion coated.
- Max. flow rate: 2800 l/min.

Order Information

Code	Description
89250112	AIR FILTER REGULATOR 1/2"F - SINGLE-STAGE 5µ NM
89250041	FILTRATION CARTRIDGE 5µ NM

DOUBLE-STAGE

1/2" Double -Stage



FEATURES

- 1 Inlet ball valve 1/2"F (allows removal of filter cartridge without stop compressor operation).
- 1 Filter 3 µ: filtration efficiency 99% with semi-automatic drain valve.
- 1 Air Regulator from 0 to 8.5 bar with pressure gauge from 0 to 10 bar.
- 1 Coalescence filter 0,01 µ: filtration efficiency 99,99% with semi-automatic drain valve.
- 1 Outlet ball valves 1/4"M, with stop valve.
- 1 Outlet quick joint F.
- 1 Wall bracket with 4 mounting holes.
- 1 Saturation indicator.
- Filter body and bowl treated with anti-corrosion coated.
- Usable with 2 or 3 spray guns.

Order Information

Code	Description
89250222	AIR FILTER REGULATOR 1/2"F - DOUBLE-STAGE
89250051	FILTRATION CARTRIDGE 3 µ NM
89250052	FILTRATION CARTRIDGE 0,01 µ NM

TRI-STAGE

1/2" Tri -Stage



FEATURES

- 1 Inlet ball valve 1/2"F (allows removal of filter cartridge without stop compressor operation).
- 1 Filter 3 µ: filtration efficiency 99% with semi-automatic drain valve.
- 1 Air Regulator from 0 to 8.5 bar with pressure gauge from 0 to 10 bar.
- 1 Coalescence filter 0,01 µ: filtration efficiency 99,99% with semi-automatic drain valve.
- Active carbon filter with separation degree <3.5 particles 0,3µ/l air.
- 1 Outlet ball valves 1/4"M, with stop valve.
- 1 Outlet quick joint F.
- 1 Wall bracket with 4 mounting holes.
- 1 Saturation indicator.
- Filter body and bowl treated with anti-corrosion coated.
- Usable with 2 or 3 spray guns.

Order Information

Code	Description
89250232	AIR FILTER REGULATOR 1/2"F - TRI-STAGE
89250051	FILTRATION CARTRIDGE 3 µ NM
89250052	FILTRATION CARTRIDGE 0,01 µ NM
89250053	ACTIVE CARBON FILTER

CONDUCTIVE AIR/FLUID HOSES & COUPLINGS

PREMIUM ANTISTATIC AIR HOSE



FEATURES

- High Quality ANTISTATIC AIR HOSE with high-strength synthetic textile braid. Available in various lengths.
- Clamped with fittings and safety quick coupling: air hose is vented in a first step and can then be safely disconnected in the second step
 - Very light, flexible in itself, noticeably handier
 - Quick coupling (NW 7.2) and nipple in Nickel Plated Brass
 - Conductivity: R<MOhm EN1953
 - Inner diameter ø 9 mm, outer diameter ø 15 mm
 - Max. operating pressure 15 bar
 - Weight with standard length of 10 mt: 1,5 kg

Order Information

Code	Description
50500187	PREMIUM ANTISTATIC AIR HOSE (12,5 mt)
50500184	PREMIUM ANTISTATIC AIR HOSE (10 mt)
VIUAN09100	PREMIUM ANTISTATIC AIR HOSE (mt)
VIUAN09100	PREMIUM ANTISTATIC AIR HOSE (100 mt)

QUICK COUPLINGS

QUICK COUPLING
Air Hose Joint - male



"L" ROTATING
Air Hose Joint

SAFETY QUICK
COUPLING
Air Hose Joint - female



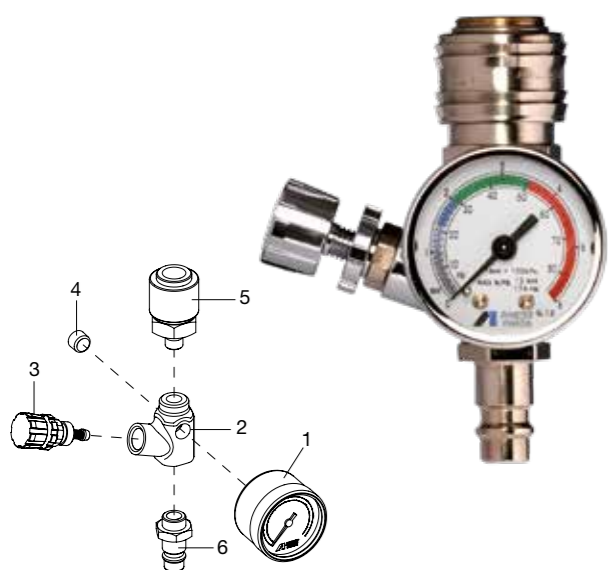
Order Information

Code	Description	Qty.
W2COM6096	QUICK COUPLING WITH SEAL - MALE	
14375800	"L" ROTATING AIR HOSE JOINT	
1025S1008	SAFETY QUICK COUPLING FEMALE (8 mm)	
1025S1009	SAFETY QUICK COUPLING FEMALE (9 mm)	
1025S1010	SAFETY QUICK COUPLING FEMALE (10 mm)	



PRESSURE GAUGES

AFV-2 AIR PRESSURE REGULATOR



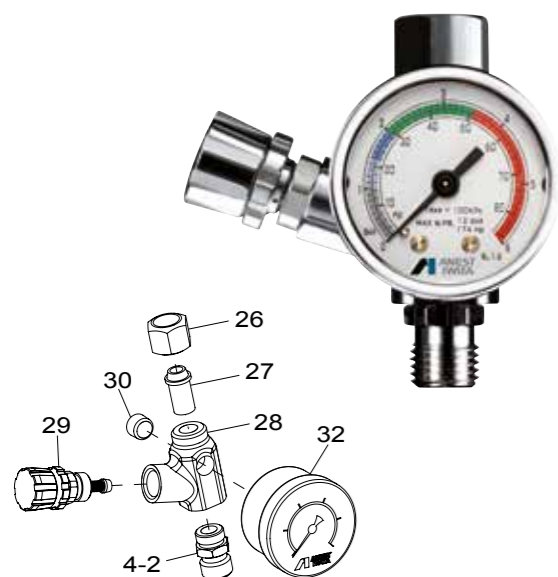
FEATURES

- Air Pressure Gauge/Regulator
- Quick Joints EU Standard
- Chrome plated brass body
- Chrome plated gauge case
- Control range 0-6 bar (Pressure resistant up to 12 bar)

Order Information

Code	Description	Ref.
14378630	AFV-2 AIR PRESSURE REGULATOR	
W3COM6065	PRESSURE GAUGE	1
94006231	BODY	2
94006240	AIR REGULATOR VALVE SET	3
96990425	PLUG	4
04006190	QUICK JOINT FEMALE (EU - Standard)	5
04006180	QUICK JOINT MALE (EU - Standard)	6

AFV-1 AIR PRESSURE REGULATOR



FEATURES

- Air Pressure Gauge/Regulator
- Joints G1/4"
- Chrome plated brass body
- Chrome plated gauge case
- Control range 0-6 bar (Pressure resistant up to 12 bar)

Order Information

Code	Description	Ref.
14378610	AFV-1 AIR PRESSURE REGULATOR	
94017021	CAP NUT	26
94006220	JOINT SEAT	27
94006231	BODY	28
94006240	AIR REGULATOR VALVE SET	29
96990425	PLUG	30
W3COM6065	PRESSURE GAUGE	32

IMPACT CONTROLLER²

impact
CONTROLLER²

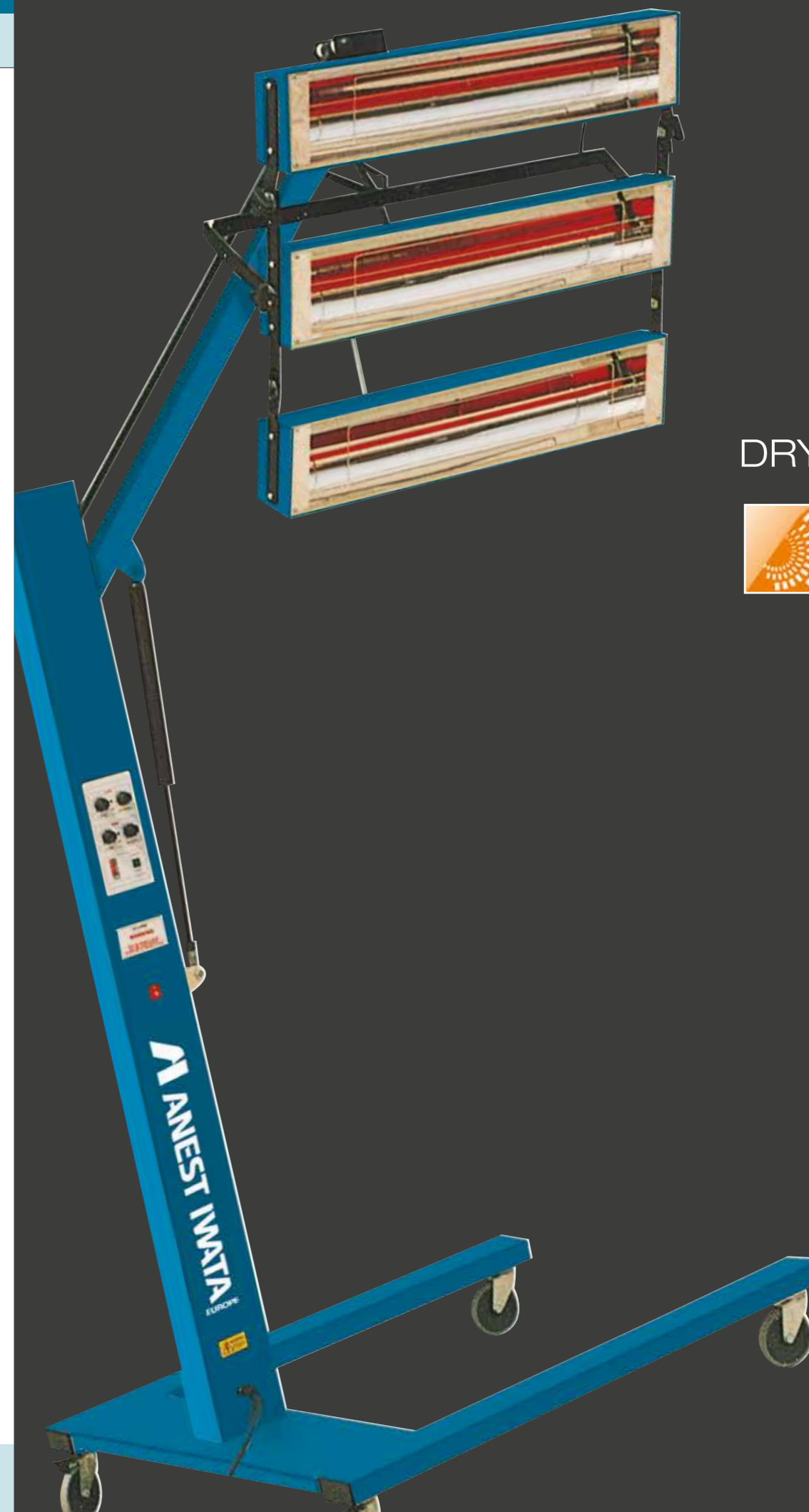


FEATURES

- Air Pressure Gauge/Regulator
- Joints G1/4"
- Chrome plated aluminium body
- Steel gauge case
- Control range 0-10 bar

Order Information

Code	Description
W2012920700	IMPACT CONTROLLER ² - AIR PRESSURE REGULATOR



DRYING SYSTEM



INFRARED UNITS

Series 1 Kw



FEATURES

The use of short wave infrared technology enables body filters, primers and paints to be cured in 10 minutes as opposed to 45 minutes in an oven. Anest Iwata infrared mobile drying systems provide a fast efficient answer for all your local body repairs. Infrared units are a cost effective method of paint drying, and curing can be achieved in just minutes, using the highly effective short wave infrared lamp. Anest Iwata infrared units are available in a number of options.

Code	Description
------	-------------

HEAT T.E.C. 1000 (1 Kw Series)

VIU100000	HAND HELD MODEL
VIU100010	HAND HELD MODEL WITH SEPARATE STAND
VIU100010T	HAND HELD MODEL WITH SEPARATE STAND + TIMER
VIU100020	2 HAND HELD MODEL WITH ONE STAND
VIU100020T	2 HAND HELD MODEL WITH SEPARATE STAND + TIMER

HEAT T.E.C. 3000 (3 Kw Series) Coverage Area 800x1000 mm

VIU100030	MOBILE INFRARED UNIT
VIU100030DS	MOBILE INFRARED UNIT + DISTANCE SENSOR
VIU100030DSTS	MOBILE INFRARED UNIT + DISTANCE & TEMPERATURE SENSOR

HEAT T.E.C. 4000 (4 Kw Series) Coverage Area 800x1300 mm

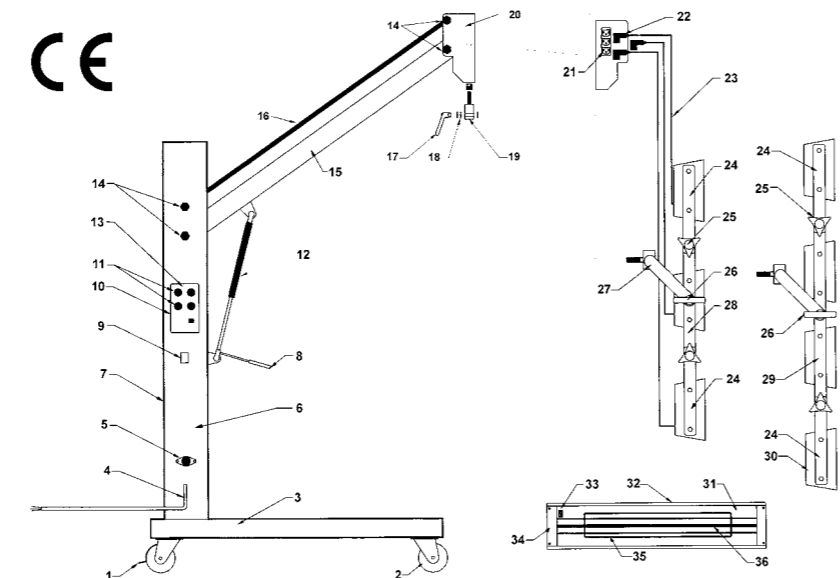
VIU100040	MOBILE INFRARED UNIT
VIU100040DS	MOBILE INFRARED UNIT + DISTANCE SENSOR
VIU100040DSTS	MOBILE INFRARED UNIT + DISTANCE & TEMPERATURE SENSOR

HEAT T.E.C. 4500 (4.5 Kw Series) Coverage Area 1250x1000 mm

VIU100045	MOBILE INFRARED UNIT
VIU100045DS	MOBILE INFRARED UNIT + DISTANCE SENSOR
VIU100045DSTS	MOBILE INFRARED UNIT + DISTANCE & TEMPERATURE SENSOR
VIU300045	MOBILE INFRARED UNIT (THREE-PHASE)
VIU300045DS	MOBILE INFRARED UNIT + DISTANCE SENSOR
VIU300045DSTS	MOBILE INFRARED UNIT + DISTANCE & TEMPERATURE SENSOR

HEAT T.E.C. 6000 (6 Kw Series) Coverage Area 2000x1000 mm

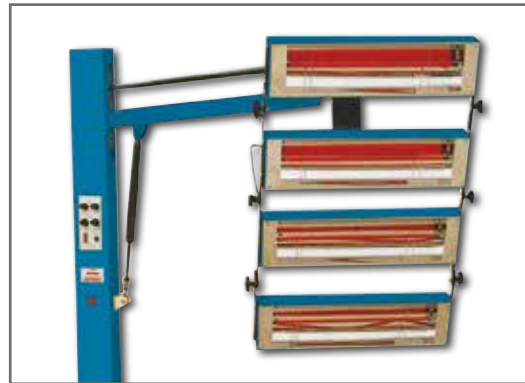
VIU100060	MOBILE INFRARED UNIT
VIU100060DS	MOBILE INFRARED UNIT + DISTANCE SENSOR
VIU100060DSTS	MOBILE INFRARED UNIT + DISTANCE & TEMPERATURE SENSOR
VIU300060	MOBILE INFRARED UNIT (THREE-PHASE)
VIU300060DS	MOBILE INFRARED UNIT + DISTANCE SENSOR
VIU300060DSTS	MOBILE INFRARED UNIT + DISTANCE & TEMPERATURE SENSOR



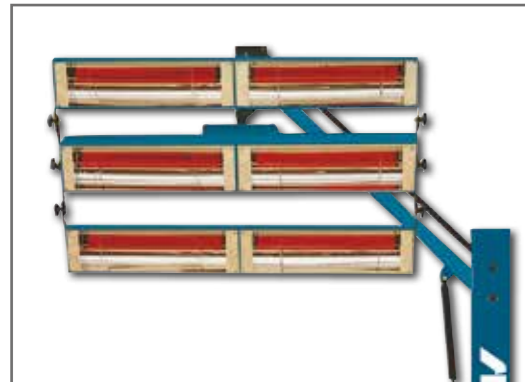
Series 3 - 4.5 Kw



Series 4 Kw



Series 6 Kw



Ref.	Code	Description	220/240 Volt				380/415 Volt	
			3 Kw	4 Kw	4.5 kw	6 Kw	4.5 kw	6 Kw
1	VIU991594	CASTOR WITH BRAKE	2	2	2	2	2	2
2	VIU991595	CASTOR WITHOUT BRAKE	2	2	2	2	2	2
3	VIU410010B	U BASE (NO CASTORS)	1	1	1	1	1	1
4	VIU40001L	MAIN CABLE WITHOUT PLUG (240V 3KW/4KW/4.5KW)	1	1	1			
4	VIU60001L	MAIN CABLE WITHOUT PLUG (240V 6KW)				1		
4	VIU630001L	MAIN CABLE WITHOUT PLUG 3 PHASE					1	1
5	VIU363741	TRIAC POWER CONTROL	1	1	1	1	3	3
6	VIU410042	FRONT PANEL METAL COVER ONLY	1	1	1	1	1	1
7	VIU410100B	MAIN UPRIGHT (METAL PART ONLY)	1	1	1	1	1	1
8	VIUGSL	GAS STRUT LEVER	1	1	1	1	1	1
9	VIU41059EUR	MAIN SWITCH 3/4/4.5 KW SINGLE PHASE	1	1	1			
9	VIU311-5256	MAIN SWITCH 6 KW SINGLE PHASE WITHOUT KNOB				1		
9	VIU350-0840	KNOB FOR 6KW SWITCH					1	1
9	VIU332-155	MAIN SWITCH 6KW 3 PHASE				1		
10	VIUHLPPCB-DS	DISTANCE CIRCUIT BOARD MODELS 220/240V	1	1	1	1		
10	VIUHLPPCBXL	TEMP. + DISTANCE CIRCUIT BOARD MODELS 240V	1	1	1	1		
10	VIUHLPPCBXL-P	TEMP. + DISTANCE HEAD CIRCUIT BOARD ALL MODELS	1	1	1	1	1	1
10	VIUHLPPCB	CIRCUIT BOARD SINGLE PHASE	1	1	1	1		
10	VIUHLPPCB-3	CIRCUIT BOARD THREE PHASE					1	1
11	VIU320295	BLACK KNOB FOR CONTROL CIRCUIT BOARD	4	4	4	4	4	4
12	VIUGS	GAS STRUT ONLY 3/4/4.5 KW (WITHOUT LEVER)	1	1	1			
12	VIUGSA	GAS STRUT ONLY 6 KW (WITHOUT LEVER)				1		1
13	VIU410051B	CONTROL PANEL LABEL AI	1	1	1	1	1	1
14	VIU009NC	NUT CAP M12	8	8	8	8	8	8
15	VIU410099B	TOP SUPPORT ARM	1	1	1	1	1	1
16	VIU410098	TOP TIE BAR (ALL MODELS)	1	1	1	1	1	1
17	VIU410078	RATCHET HANDLE	1	1	1	1	1	1
18	VIUM12WSET	WASHERS FOR CASSETTE SUPPORT LOCKING HANDLE	1	1	1	1	1	1
19	VIU410017	SWIVEL BLOCK	1	1	1	1	1	1
20	VIU410018	HEAD	1	1	1	1	1	1
21	VIU410020	QUAD BLOCK SOCKET SINGLE PHASE MODELS	1	1	1	1		
21	VIU23-0117	QUAD BLOCK SOCKET 3 PHASE MODELS					3	3
22	VIU410061	KETTLE PLUG	3	4	3	3	3	3
23	VIU10005	CASSETTE CABLE ASSEMBLY C/W PLUG	3	4	3	3	3	3
24	VIU410076	UNIVERSAL OUTER STRAP	4	4	4	4	4	4
25	VIU410077	TRI KNOB	4	4	4	4	4	4
26	VIU411200	T KNOB	2	2	2	2	2	2
27	VIU410080	OVERHEAD CASSETTE SUPPORT ARM 3KW/4KW	1	1				
27	VIU450012	OVERHEAD CASSETTE SUPPORT ARM 4.5KW				1		1
27	VIU410073	OVERHEAD CASSETTE SUPPORT ARM 6KW			1		1	
28	VIU410075	CENTRE STRAP 3 HEAD	2		2	2	2	2
29	VIU410003	CENTRE STRAP 4 HEAD		2				
30	VIU410074B	BLUE CASSETTE BOX ONLY 3/4/6KW (EMPTY)	3	4		6		6
30	VIU450011B	BLUE CASSETTE BOX ONLY 4.5 KW (EMPTY)			3		3	
31	VIU410071	BACK REFLECTOR 3/4/6 KW	3	4		6		6
31	VIU450016	BACK REFLECTOR 4.5 KW			3		3	
32	VIUHLP34CSAA	CASSETTE ASSEMBLY COMPLETE (NO LAMP) 3/4 KW	3	4				
32	VIUHLP4500CAA	CASSETTE ASSEMBLY COMPLETE (NO LAMP) 4.5 KW			3		3	
33	VIU410081	CASSETTE ON/OFF SWITCH	3	4	3	6	3	6
34	VIU420070	END REFLECTOR	6	8	6	12	6	12
35	VIU410069	CASSETTE GUARD 3/4/6 KW	3	4		6		6
35	VIU450013	CASSETTE GUARD 4.5 KW			3		3	
	VIU900300	1KW TUBE 300 MM 220/240 VOLT						
36	VIU900500	1KW TUBE 500 MM 220/240 VOLT	3	4		6		6
36	VIU900750	1.5KW TUBE 750 MM 220/240 VOLT			3		3	
	VIU101	HAND HELD STAND WITH SLIDER BRACKET						
	VIU103	TIMER ONLY FOR STAND MOUNTED						
	VIU104	PLUG FOR STAND MOUNTED TIMER (EACH)						
	VIU404	CONTROL BOARD FOR DISTANCE SENSOR MODELS						
	VIU406	DIGITAL READ OUT PANEL FOR DISTANCE SENSOR						
	VIU408	DIGITAL SENSOR UNIT						
	VIU410014	BOLT FOR CASTOR M10						
	VIU410015	NUT FOR CASTOR M10						
	VIU410016	LOCKING WASHER FOR CASTOR M10						
	VIUFS500M	FUSE 500 MA						
	VIU102	SLIDER BRACKET FOR HAND HELD						
	VIUHAN1	HANDLE FOR HAND HELD						
	VIUGRP1	GRIP FOR HAND HELD MODEL						
	VIU10001	HAND HELD CABLE WITHOUT PLUG						



ADG-1B AQUADRY PAINT DRYER GUN

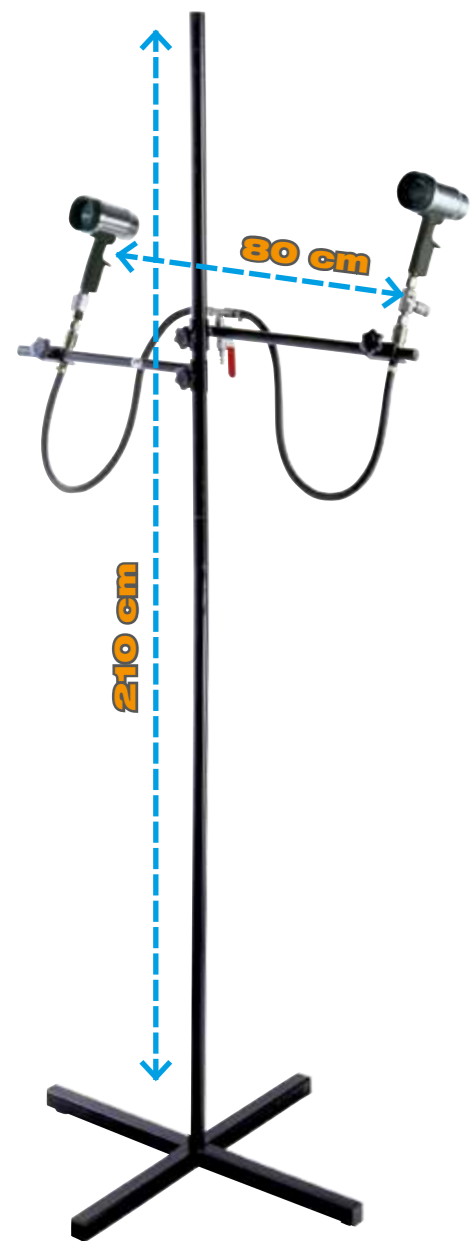
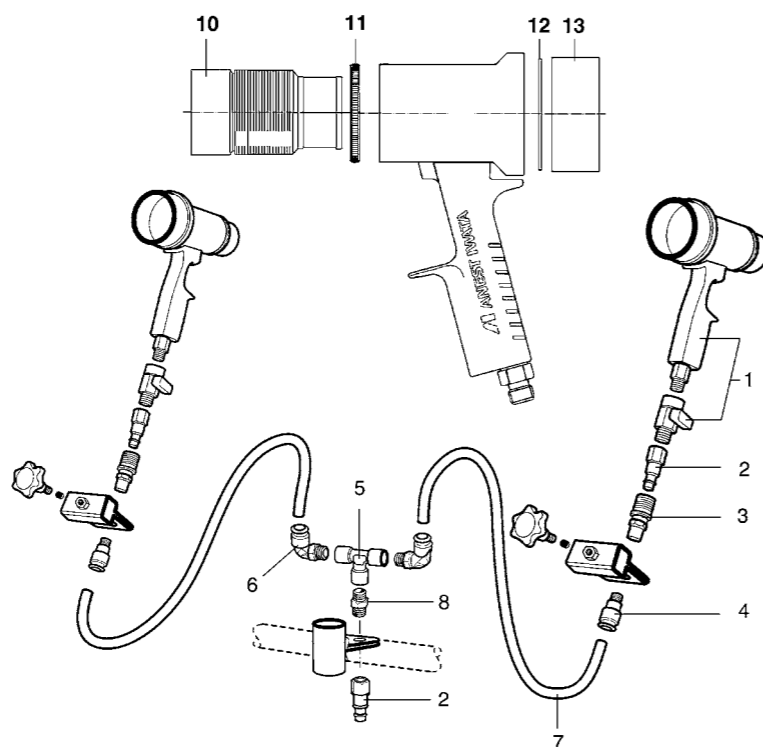


FEATURES

- AQUADRY Kit for the accelerated drying of water based coatings
- Guns are provided with quick couplings which allow fast disassembly
 - Air regulator included
 - Variable air flow
 - 2 Guns are easily and independently adjustable (height from 0 to 210 cm)
 - Each gun can be used independently
 - The stand has a slide and lock height adjustment.
 - Gun brackets can be moved along the length of the arm and positioned to suit, max adjustable 80 cm
 - Sturdy and dismantable steel base with rubber foot 62x62 cm
 - Venturi air entrainment increases air flow by 6:1

TECHNICAL

Max. pressure: 7 bar
Max. air consumption: 2 x 600 lt./min



Order Information

Code	Description	Ref.
UIKIT60100	AQUADRY SET (STAND, HOSES + 2 DRYER GUNS)	
13908402	AQUADRY PAINT DRYER GUN ADG-1B	1
W2COM6096	QUICK JOINT MALE BRASS G-1/4" M	2
W2950291400	QUICK JOINT FEMALE BRASS G-1/4" F	3
UL300312	QUICK JOINT 1/4" M - ø10	4
UL300300	"T" JOINT 1/4" FFF	5
UL300309	"L" QUICK COUPLING 1/4" M - ø10	6
00100032	AIR HOSE 10X8	7
UL30010501	SPECIAL NIPPLE R. 1/4" - G1/4"	8
VIEAQ002	STAND ONLY	9
93453450	NOZZLE	10
93454450	NUT	11
93451460	SCREEN FILTER	12
93455461	COVER	13

AI JET FLAT FAN AIR NOZZLE DRYER



FEATURES

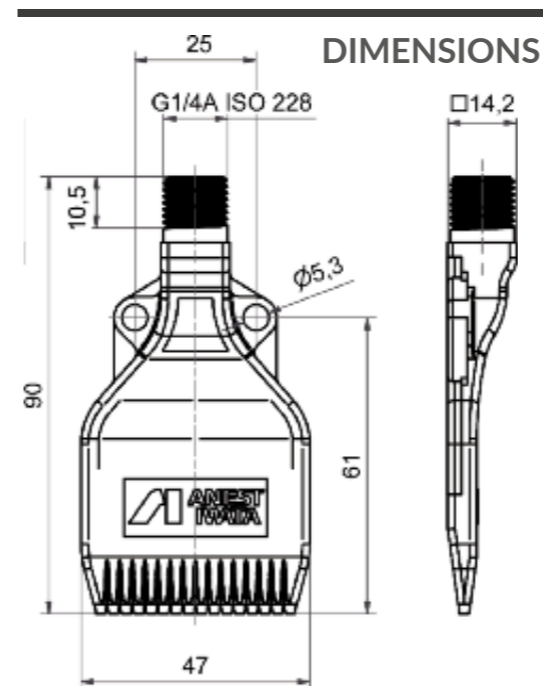
The AI JET Flat Fan Air Nozzles series are ideal to be used for the processes of drying and curing of water-based paints. The flow of compressed air, passes through the nozzle and it is distributed through 16 holes (ø 1.5 mm), ensuring a wide range of air distribution and an excellent uniformity in the drying process. The ergonomic design and its small dimensions, allow its use even in very small spaces. The use of the AI JET air nozzles reduces the consumption of compressed air than other systems and allows the drying process in shorter times on surfaces of small and medium size, as well as a considerable reduction in noise. AI JET is supplied with ball valve and quick coupling joint M.

Air Nozzle



Technical Data

Noise Level	70 db(A) at 2 bar
Air Consumption	18 m³/h at 2 bar
Max. Pressure	6 bar
Max. Temperature	50°C



Pattern of Air Distribution through AIJET Nozzle Holes

Order Information

Code	Description
W2COM6214	AI JET AIR NOZZLE DRYER SET
W2COM6235	AIR NOZZLE
W2KIT40	QUICK COUPLING JOINT SET M1/4" F (5 pcs./1 pk.)

AZ PVA TN UNDERCOAT SPRAY GUN



FEATURES

- Undercoat gun to be used with pre-packed paintpot or cartridge
- With suction feed
- Internal mixing

Order Information

Code	Description
W001220000	UNDERCOAT SPRAY GUN

MARKER CAPS



FEATURES

- Marker caps for individual labeling of spray guns

Order Information

Code	Description
93710530	MARKER CAPS (5 pcs./1 pk.) (yellow, green, red, black, blue)

MINI AIR DUSTER gun



FEATURES

- Mini blow gun for dust cleaning and drying of tools and jobstations.
- Compact, lightweight, precise and powerful with high flow and low air consumption.
- Ergonomically designed and ultramodern with a max. operating pressure of 12 bar.

Order Information

Code	Description
DE510001	MINI AIR DUSTER gun

NEEDLE PACKING CARTRIDGE ADJUSTMENT

HOW TO ADJUST

WS-400 - LS-400 Series | W-400 Classic Plus Series W-300 WB | W-200 Series



Fig. 1

STEP 1: Make sure that there is no paint residue or dust on the threads and seat surface of the spray gun body. Clean the gun body if needed.

STEP 2: Hand tighten the needle packing cartridge in the gun body and insert the fluid needle in it. If it is difficult to insert the fluid needle into the needle packing cartridge, twist the fluid needle during insertion.



Fig. 2

STEP 3: Tighten the needle packing cartridge 15 - 60° by using Anest Iwata universal spanner or Anest Iwata needle packing spanner Fig. 1.

STEP 4: Hold the trigger and give a small amount of Anest Iwata grease [code W2COM6165] to the fluid needle as shown in Fig. 2.



Fig. 3

STEP 5: Pull and release the trigger a couple of times Fig. 3 and make sure the fluid needle moves back and forth smoothly. If not, the needle packing cartridge is too tight. Loosen the needle packing cartridge with Anest Iwata universal spanner or needle packing spanner and repeat steps 4 and 5.

HOW TO ADJUST

LPH-80

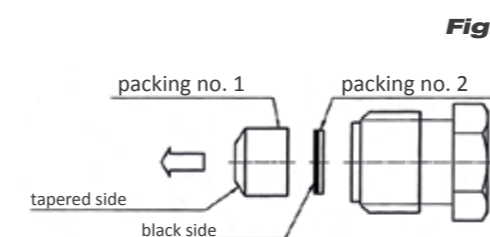


Fig. 1

STEP 1: Make sure that there is no paint residue or dust on the threads and seat surface of spray gun body. Clean the gun body if needed.

STEP 2: Assemble as shown in Fig.1, both packings no. 1 and no. 2, in addition to the packing bolt. Tip: Use the dismantled fluid needle as a guide Fig. 2. If it is difficult to insert the fluid needle into the needle packing cartridge, twist the fluid needle during insertion.

Hand tighten the needle packing cartridge on the gun body and insert fluid needle from fluid adjustment set.

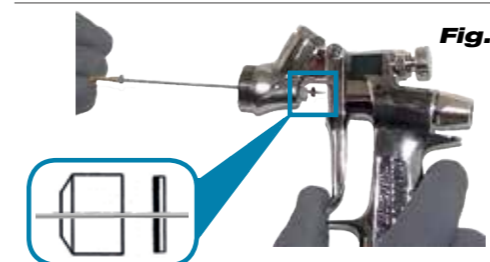


Fig. 2

STEP 3: Tighten the needle packing cartridge 60° by using Anest Iwata needle packing special spanner LPH-80 (Fig. 3).

STEP 4: Apply Anest Iwata grease [code W2COM6165] directly on the needle packing screw when trigger lever on (Fig. 3)

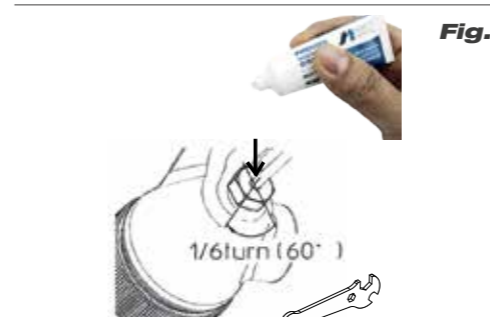


Fig. 3

STEP 5: Pull and release the trigger a couple of times and make sure that the fluid needle moves back and forth smoothly. If not, the needle packing cartridge is too tight.

Spray Gun and Nozzle Choice

Anest Iwata with the most important paint manufacturers determines the best spray guns settings and the nozzle choice according to paints and models. To find the most suitable nozzle diameter and air inlet pressure, you can refer to the recommendations shown in the technical details of each product.

Atomizing and Air Pressure adjusting

Install a pressure gauge to the air inlet pressure control of the spray gun. Connect the spray gun to the supply of the compressed air.
Warning: To supply compressed air to the gun always use clean air, filtered through the air dryer and air filter.

Fully open the pattern adjustment valve and the air flow control valve.
Note: The air flow control valve must not be used, except when you want to reduce the pattern width.

Keep the trigger fully hold during adjustment.
Adjust pressure by the main air regulator of the spray booth, making sure that the pressure value on the pressure gauge under the gun is correct.

Fluid Output Adjusting

The adjustment of fluid output can be left completely open and adjusted by opening and closing the trigger during painting operations.
Some paint manufacturers recommend to adjust the fluid output based on the number of turns of the fluid-adjustment knob and in this case, the recommendations must be strictly observed.

Spray Gun Use

The spray gun must be always held perpendicular to the surface that has to be painted. When painting the spray gun should be moved with a fluid and free motion of the arm, in a horizontal and straight line from right to left and back so that each passage covers the previous one by 50-75%.
The molded parts, the edges and the interior of the car should be painted first.

Safety and Protection

The spray distance of the gun from the surface must be between 130 - 200 mm: set the spraying distance as close as possible to this range. With Supernova spray guns the recommended spraying distance must be between 130 -150 mm.
Anest Iwata provides a Magnetic Spray Tester, which is an accessory to test the quality of spray the pattern.

Cleaning and Maintenance

During painting operations always wear protective gear such as safety glasses, mask, overalls, gloves and so on, to avoid inflammation of eyes and skin.
Anest Iwata offers a wide range of health protection items available in the accessories section in the Price List.

Before use, adjustments or maintenance, it is important to read very carefully the instruction manual supplied with the spray gun.
Instructions for cleaning and maintenance are also displayed on the front panel of the: Magnetic Spray Tester.

THIS PRODUCT LIST IS VALID FROM 01.01.2019

Pricing

All prices are recommended retail prices and are exclusive of legal VAT. All prices, part numbers and images are subject to change without notice.

Transportation and delivery

All mentioned prices are ex-works in Partille, Sweden. Transportation or delivery charges are not included in the shown price.
Terms and Conditions apply to the **ANEST IWATA** Scandinavia AB.

Minimum invoice value for each order

If the order value is less than **500 SEK** (excluding VAT) there will be an additional 50 SEK in handling fee.

Complaints

For the notice of the complaints written or by telephone please contact:
ANEST IWATA Scandinavia AB
info@anest-iwata.se Telephone: +46 31 340 28 60
Further instructions (for example to return goods) must be agreed in advance with ANEST IWATA Scandinavia AB.

Goods Exchange and Returns of goods

The desire to exchange goods or return of goods must be notified in advance to:
ANEST IWATA Scandinavia AB
Telephone: +46 31 340 28 60
Exchange and return are only possible if Anest Iwata Scandinavia AB has been informed accordingly.

The returned goods must be in unused, perfect condition, undamaged original packaging carried out.

Used, obsolete and unserviceable goods are generally excluded from return.

Other

Catalogues, price lists or other advertising matters of the seller are only an indication of the type of products and no prices or other information contained herein shall be binding for the seller.

ANEST IWATA Scandinavia AB does not accept any responsibility for errors or omissions contained in its price lists or promotional matters.

All prices/items/designs are subject to be changed without previous notice.

EUROPE:

ANEST IWATA Italia S.r.l.

Chieri (TO) - ITALY
info@anest-iwata.it
www.anest-iwata.it

ANEST IWATA Deutschland GmbH

Leipzig - GERMANY
info@anest-iwata.de
www.anest-iwata.de

ANEST IWATA France S.A.

Saint Quentin Fallavier, Lyon - FRANCE
info@anest-iwata.fr
www.anest-iwata.fr

ANEST IWATA U.K. Ltd.

St. Neots Cambridgeshire - ENGLAND
enquiries@anest-iwata.co.uk
www.anest-iwata.co.uk

ANEST IWATA Iberica S.L.

Badalona - Barcelona - SPAIN
info@anest-iwata.es
www.anest-iwata.es

ANEST IWATA Scandinavia AB

Ögärdesvägen 6C, 433 30 Partille,
SWEDEN Tel +46 31 340 28 60
info@anest-iwata.se
www.anest-iwata.se



ON
FACEBOOK

ANEST IWATA Polska Sp. z o.o.

Poznań - POLAND
info@anestiwata.com.pl
www.anest-iwata.pl

NORTH AMERICA:

ANEST IWATA USA Inc.

West Chester - Ohio - U.S.A.
inquiry@anestiwata.com
www.anestiwata.com

SOUTH AMERICA:

ANEST IWATA DO BRASIL COMERCIAL Ltda.

Sao Paulo - BRAZIL
contato@anest-iwata.net.br
www.anest-iwata.net.br

AUSTRALIA:

ANEST IWATA Australia Pty Ltd.

Sidney - AUSTRALIA
info@anest-iwata.com.au
www.anest-iwata.com.au

AFRICA:

ANEST IWATA South Africa Pty Ltd.

Johannesburg - REPUBLIC OF SOUTH AFRICA
www.anest-iwata.co.za

ASIA:

ANEST IWATA Coating Solutions Corporation

Yokohama - JAPAN
www.anest-iwata.co.jp

ANEST IWATA Motherson Coating Equipment Ltd.

Noida - INDIA
sales@aim.motherson.com
www.motherson.com/anest-iwata-motherson.html

ANEST IWATA Russia LLC

Moscow - RUSSIA
tam@anestiwata.ru
www.anestiwata.ru

ANEST IWATA Shanghai Corporation

Shanghai - CHINA
customer@anest-iwata-sh.com
www.anest-iwata-sh.com

ANEST IWATA Taiwan Corporation

Hu-Kuo - TAIWAN R.O.C.
service@anestiwata.com.tw
www.anestiwata.com.tw

ANEST IWATA Vietnam CO. Ltd.

Ho Chi Minh City - VIETNAM
info@anest-iwata.vn
www.anest-iwatasoutheastasia.com

PT. ANEST IWATA Indonesia

Jakarta - INDONESIA
www.anest-iwatasoutheastasia.com

ANEST IWATA Southeast Asia CO. Ltd.

Bangkok - THAILAND
info@anest-iwata.co.th
www.anest-iwatasoutheastasia.com

HEADQUARTER:

ANEST IWATA Corporation

Yokohama - JAPAN
www.anest-iwata.co.jp

ANEST IWATA Strategic Center S.r.l

Cardano al Campo (VA) - ITALY
info@anest-iwata-st.com
www.anest-iwataeu.com